

SIEMENS



OpenAir™
Rotary damper actuators without spring return
GDB/GLB/GSF..1
Technical basics

Siemens Schweiz AG
Sektor Infrastructure & Cities
Building Technologies Division
Gubelstrasse 22
6301 Zug
Schweiz
Tel. +41 41-724 24 24
www.siemens.com/sbt

© 2012 Siemens Schweiz AG
Änderungen vorbehalten

Contents

1	Introduction.....	5
1.1	Revision history	5
1.2	About this document.....	5
1.3	Document contents.....	5
2	Non-spring return rotary actuators.....	6
2.1	Application	6
2.2	Type summary.....	6
2.3	Description of functions	7
2.4	Controllers	8
2.5	Mechanical design.....	9
2.6	Setting and operating elements.....	10
3	Technical design.....	11
3.1	Drive motor	11
3.2	Rotary range and mechanical limitation	11
3.3	Auxiliary switches and positioning signals.....	12
3.4	Adjustable characteristic function	13
3.5	Neutral zone	14
4	Engineering notes.....	15
4.1	Safety notes.....	15
4.2	Device-specific regulations.....	16
4.3	Notes on EMC optimization	17
4.4	Determining the actuator	17
5	Mounting notes	19
6	Wiring notes.....	20
6.1	Permissible line lengths and cross-sectional area.....	20
6.2	Actuator wiring (three-position).....	22
6.3	Actuator wiring (modulating).....	23
7	Commissioning notes	24
7.1	General checks.....	24
7.2	Electrical functional check	24
8	Technical data	26
9	Diagrams	28
9.1	Internal diagrams.....	28
9.2	Cable labeling.....	28

9.3	Connection diagrams (three-position control)	29
9.4	Connection diagrams (modulating)	30
10	Environmental compatibility and disposal	31
11	Appendix	32
11.1	Dimensions	32
11.2	Referenced documents	32

1 Introduction

1.1 Revision history

Changes	Date	Chapter	Pages
Types GDB/GLB..1J and GDB/GLB..1L removed	01.02.2011	all	whole Document
Diversification of the range of products with the types GDB/GLB..1J and GDB/GLB..1L	30.07.2004	all	whole Document
Electrical parallel connection	31.03.2005	4.2	16
Permissible line lengths and cross-sectional area		6.1	20/21
Technical data (Dimensions)		8	27
Environmental compatibility and disposal		10	32
Referenced documents (Documents and standards)		11.3	34

1.2 About this document

Main target group	This document targets engineering, product management, and commissioning staff in the RCs.
Purpose	<p>This document provides basic knowledge. In addition to background information, it contains general technical fundamentals on the GDB..1.. / GLB..1.. / GSF..1 rotary actuator series.</p> <p>It offers all information on engineering, correct mounting and wiring, commissioning, and service.</p>
Referenced documents	Section 11.2 “Referenced documents” contains a list of documents on rotary and linear actuators with accessories.

1.3 Document contents

This document contains basic technical information on type series GDB..1.. / GLB..1.. / GSF..1 for:

- Three-position control and
- Modulating control

The following topics are discussed:

- Type summary and description of the available options
- Applications and functions
- Actuator design including setting and operating elements
- Adjustable auxiliary switches and characteristic function
- Notes on engineering and safety-specific guidelines and regulations
- Notes on mounting, wiring, and commissioning
- Technical data
- Diagrams
- Environmental compatibility and disposal

2 Non-spring return rotary actuators

Introduction

This chapter provides information on application, functions, and equipment combinations. Furthermore, it contains a type summary and explains the actuator design including setting and operating elements for this family of actuators.

2.1 Application

The actuators are used in ventilation and air conditioning plants to operate air dampers and air throttles:

For damper areas up to 0.8 m² (GDB) and 1.5 m² (GLB), friction-dependent for GSF..1 up to 0.3 m²

Suitable for modulating controllers (DC 0...10 V) or three-position controllers (e.g. rotary and linear dampers for air outlets)

2.2 Type summary

The following table shows the options for the actuator types.

Mode of control Mode of control Modulating

GDB../GLB..	131.1E	132.1E	136.1E	331.1E	332.1E	336.1E	161.1E	163.1E	164.1E	166.1E
GSF..							161.1E			
Mode of control	Three-position						Modulating			
Operating voltage AC 24 V	X	X	X				X	X	X	X
Operating voltage AC 230 V				X	X	X				
Positioning signal input Y DC 0...10 V DC 0...35 V Characteristic function U ₀ , ΔU							X			X
Position indicator U = DC 0...10 V							X	X	X	X
Feedback potentiometer 1 kΩ		X			X					
Self-adaption of rotary angle range							X	X	X	X
Auxilliary switches (two)			X			X			X	X
Rotary direction switch							X	X	X	X

Accessories, spare parts

See data Sheet for accessories and spare parts N4698

For functional enhancements of the actuators, the following accessories are available:

Accessories

Rotary/linear set with lever

ASK71.5

Rotary/linear set for duct and wall mounting

ASK71.6

Universal lever

ASK71.9

Long lever, T-level valve BG and inserts

ASK78.x

2.3 Description of functions

The functions are listed in a table and are assigned to the respective control types.

Type	GDB13..1../GLB13..1.. GDB33..1 GLB33..1	GDB16..1../GLB16..1.. GSF16..1
Mode of control	Three-position	Modulating
Positioning signal with adjustable characteristic function		Y = DC 0...35 V with offset $U_0 = 0...5$ V and span $\Delta U = 2...30$ V
Rotary movement, direction of rotation	Clockwise or counter-clockwise direction depends:	
	On the mode of control. With no power applied, the actuator remains in the respective position.	<ul style="list-style-type: none"> On the position of the DIL switch clockwise / counterclockwise On the positioning signal The actuator stays in the position reached: <ul style="list-style-type: none"> If the positioning signal is maintained at a constant value If the supply voltage is interrupted
Position indication: Mechanical	Rotary angle position indication by using a position indicator	
Position indication: Electrical	Connecting the feedback potentiometer to an external voltage source results in a voltage proportional to the rotary angle.	Position indicator: Output voltage $U = DC 0...10$ V is generated proportional to the rotational angle. The direction of action (inverted or not inverted) of output voltage U depends on the DIL switch position.
Auxiliary switch	The switching points for auxiliary switches A and B can be set independent of each other in increments of 5° within 0 to 90° .	
Self-adaptation of rotary angle range		<ul style="list-style-type: none"> The actuator automatically determines the mechanical end of range for the rotational angle The characteristic function ($U_0, \Delta U$) is mapped to the determined rotary angle range
Manual adjustment	The actuator can be manually adjusted by pressing the gear train disengagement button.	
Mechanical limitation of rotary angle	The rotary angle can be limited with an adjusting screw within 0 to 90° .	

2.3.1 Supplementary information on the description of functions for modulating actuators.

Characteristic function
GDB/GLB163.1,
GDB/GLB164.1

Offset U_0 and span ΔU can be adjusted using two potentiometers (see section 3.4 "Adjustable characteristic function"). Actuators featuring this function can be used for the following applications:

- Dampers with a rotary angle limitation can, for instance, be controlled in the range of $0^\circ \dots 45^\circ$ on a control signal of max. DC 10 V (offset U_0 and effective span ΔU_w , with or without self-adaption)
- As a sequencing actuator in control loops that can only apply a DC 0...10 V control signal to control more than one sequence
- In control systems with a control signal deviating from DC 0...10 V such as DC 2...10 V

Self-adaption of the rotary angle range
GDB/GLB16..1/
GSF16..1

The actuator automatically determines the mechanical end of range for the rotary angle on:

- Activated self-adaption and switching-on of operating voltage
- Switch-on and switch-off for self-adaption when operating voltage is supplied

The table shows the different effects of the characteristic function's mapping to the rotary angle range for "inactive self-adaption" and "active self-adaption" (refer to section 3.4 "Adjustable characteristic function").

Inactive self-adaption	Active self-adaption
<ul style="list-style-type: none"> • The actuator maps the characteristic function (U_0, ΔU) to the positioning range $Y_s = 100\%$ for rotary angle 90° • The actuator calibrates the position indication with $U = \text{DC } 0 \dots 10 \text{ V}$ for rotary angle 90° 	<ul style="list-style-type: none"> • The actuator maps the characteristic function (U_0, ΔU) to the positioning range $Y_s = 100\%$ for the determined rotary angle range • The actuator calibrates the position indication with $U = \text{DC } 0 \dots 10 \text{ V}$ for rotary angle 90°

Electronics calibrates the positioning signal according to the adjusted rotary angle range for the following types of actuators:

GDB / GLB161.1.., GDB / GLB166.1E and GSF16..1 with DC 0...10 V

GDB / GLB163.1.. and GDB / GLB 164.1E with the selected values of offset U_0 and span ΔU (refer to section 3 «Technical design»)

Note

The output voltage for position indication will not be affected, that is, the full span of 100 % (nominal rotary angle 90°) corresponds to DC 0...10 V.

2.4 Controllers

The actuators can be connected to all controllers having the following outputs. All safety-related requirements must be met (refer to section 4 "Engineering notes").

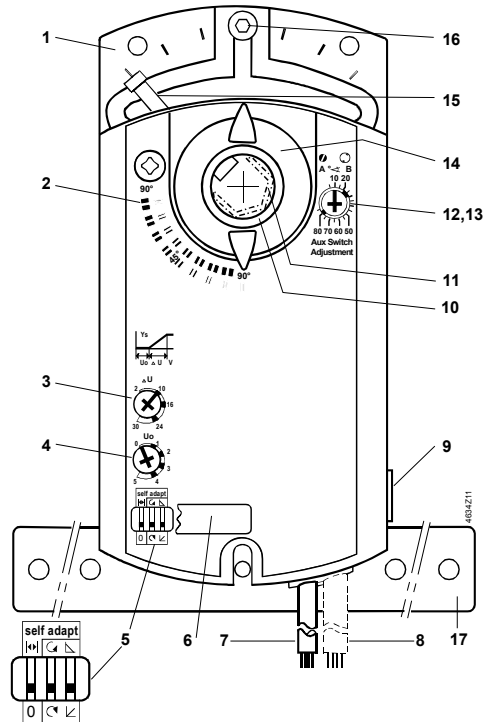
Actuator type	Mode of control	Controller output
GDB13..1/GLB13..1	Three-position	AC 24 V
GDB33..1/GLB33..1	Three-position	AC 230 V
GDB16..1/GLB16..1/ GSF16..1	Modulating	DC 0...10 V / DC 0...35 V

2.5 Mechanical design

Description	<p>The electromotoric rotary GDB/GLB..1.. actuators are available for three-position and modulating control. The maximum torque is 5 Nm (GDB) and 10 Nm (GLB). The actuators are equipped with prewired connecting cables.</p> <p>The electromotoric GSF..1 actuator is available for modulating control. The maximum torque is 2 Nm. The actuator's connecting cables are prewired.</p>
Housing	Robust, light-weight plastic housing. The housing guarantees a long actuator life even under harsh environmental conditions.
Gear train	Maintenance-free and noise-free gear train with stall and overload protection for the life of the actuator.
Shaft fastening	The coupling bushing is made from hardened sintered steel. This mounting type allows for fastening the actuator to shafts with various diameters and in various shapes (square, round) using just one socket head cap screw (4 mm).
Manual adjustment	When no voltage is supplied, you can manually adjust the actuator or the air damper by pressing the gear train disengagement button.
Mounting bracket	A bolted metal strip is used to attach the actuator.
Centering element	Ensuring a friction-locked connection between a damper shaft with a small diameter (8...10 mm) and the coupling bushing Reducing the vertical movement of the actuator by applying eccentric movement.
Electrical connection	The actuators are equipped with prewired connecting cables.
Type-specific elements	The actuators can be delivered as a type-specific variant having the following elements:
Auxiliary switch	For auxiliary functions, you can adjust auxiliary switches A and B on the actuator front.
Potentiometer for offset and span	Both potentiometers for the characteristic functions U_0 and ΔU are accessible on the front.
DIL switches	The DIL switches are accessible from the front and can be used for: <ul style="list-style-type: none">– self-adaptation– direction of rotation– inverted or non-inverted output voltage operating function
Feedback potentiometer for position indication	The potentiometer is integrated and can be connected by means of a cable.
Cover for DIL switch	This cover protects the DIL switch against dust and water spray.

2.6 Setting and operating elements

Actuator

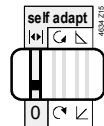


Legend

- 1 Base plate and housing
- 2 Rotational angle scales 0°...90° / 90°...0°
- 3 Potentiometer to adjust the span ΔU
- 4 Potentiometer to set the offset U_0
- 5 DIL switches for
 - self-adaptation
 - direction of rotation
 - inverted or non-inverted output voltage operating function
- 6 Cover for DIL switches
- 7 Connecting cable for power, control signal and position indication
- 8 Connecting cable for auxiliary switches or feedback potentiometer
- 9 Slider to disengage the gear train
- 10 Coupling bushing
- 11 Centering element (shaft diameter 8...10 mm)
- 12,13 Setting shafts for auxiliary switches A and B
- 14 Position indicator
- 15 Adjustment lever with shaft fastening screw
- 16 Adjusting screw for rotational angle limitation
- 17 Mounting bracket

DIL switches settings

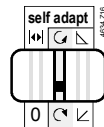
DIL switch 1:
Self-adaption



The following functions can be set and thus require checking.
Self-adaption can either be ON or OFF. See “Functions” for a functional description.

Factory setting: Self-adaption OFF (0)

DIL switch 2:
Direction of rotation



The rotational movement direction must match the desired damper movement direction (clockwise or counter-clockwise).

Factory setting: Clockwise direction (C).

DIL switch 3:
Output voltage characteristic

Output voltage characteristic U of the electrical position indication can be selected independent of the rotational movement direction. The following variants are possible:

Rot. movement direction 0...90°	DIL switch position	Output voltage U
	non-inverted	DC 0...10 V
	inverted	DC 10...0 V
	non-inverted	DC 0...10 V
	inverted	DC 10...0 V

Factory setting



Characteristic non-inverted (L)

$Y_s = 0...100\%$ (0°...90°)

$U = \text{DC } 0...10 \text{ V}$

3 Technical design

Introduction

This chapter discusses the following topics:

Drive motor

Adjustable auxiliary switches

Adjustable characteristic function (positioning signal, DC 0...35 V)

Control characteristics by including the neutral zone

3.1 Drive motor

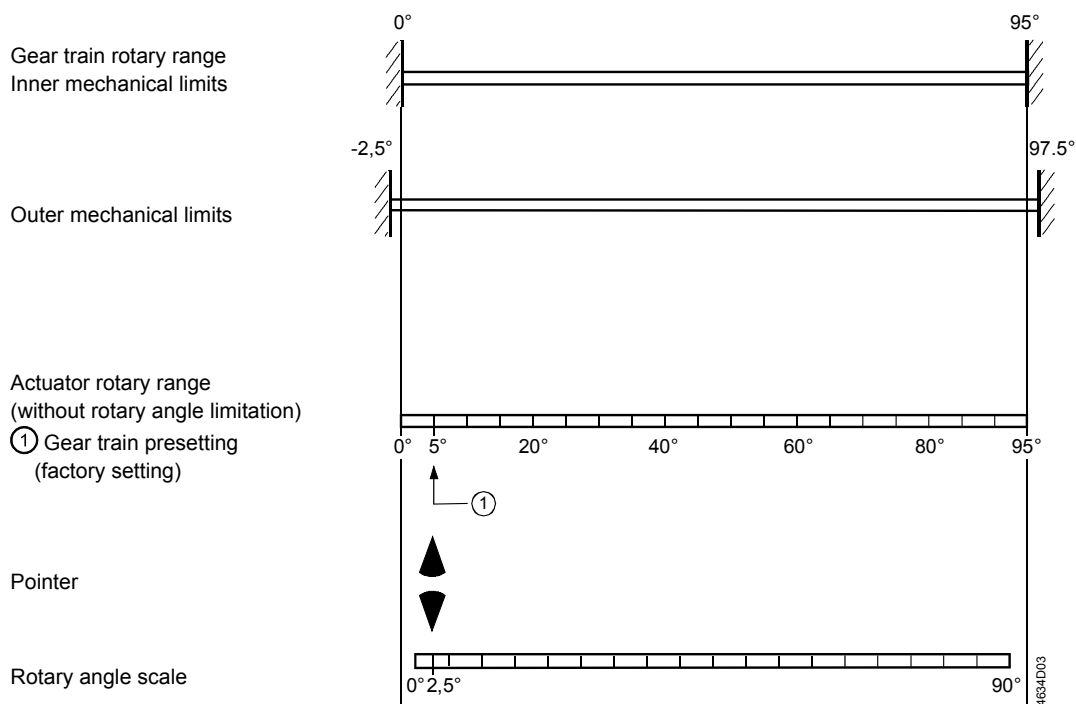
Drive motor

A synchronous motor enables accurate speed control. The magnetic coupling serves as a torque supervision to protect both actuator and damper.

3.2 Rotary range and mechanical limitation

Mechanical functions

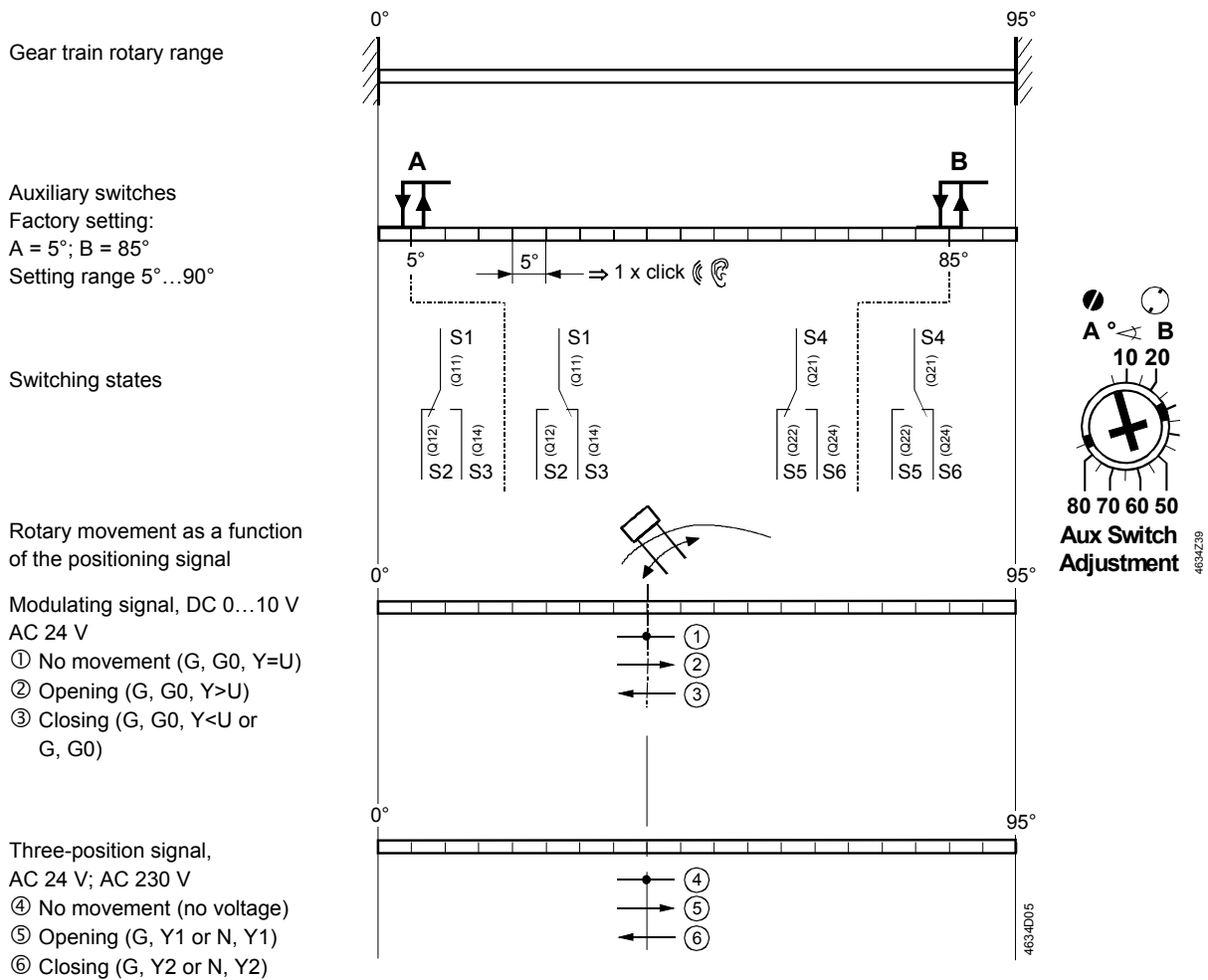
The illustration below shows the relationship between the inner and outer mechanical limitation of the rotary range.



3.3 Auxiliary switches and positioning signals

Electrical functions

The illustration below shows the relationship between the rotary angle, the adjustable switching points for auxiliary switches A and B, and the positioning signal.



Note

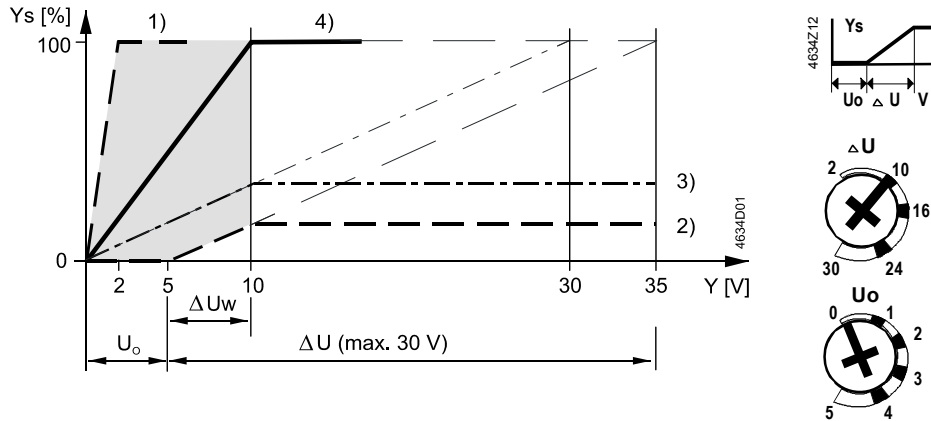
The setting shafts for the auxiliary switches turn together with the adapter. The scales thus only refer to the "0°" actuator position (clockwise direction).

3.4 Adjustable characteristic function

Actuators

GDB/GLB163.1,
GDB/GLB164.1

A modulating positioning signal DC 0..35 V from a controller controls the actuator. The rotary angle is proportional to the positioning signal. Using potentiometer "Uo", you can set the offset for DC 0...5 V, and with potentiometer "ΔU", you can set the span for DC 2...30 V.



Y_s Positioning range (100 % = Rotary angle 90°)
 Y Control signal
 U_o Offset range
 ΔU Span (for $Y_s = 100\%$)
 (virtual span if $Y > 10$ V)
 ΔU_w Effective span = 10 V - U_o

Examples as per diagram	Set offset U_o	Span ΔU		Control range Y_s
		Set	Effective	
1) Min. span	DC 0 V	DC 2 V	DC 2 V	100 % / 90°
2) Min. rotational angle	DC 5 V	DC 30 V	DC 5 V	16.7 % / 15°
3) Min. rotational angle	DC 0 V	DC 30 V	DC 10 V	33.3 % / 30°
4) Factory setting	DC 0 V	DC 10 V	DC 10 V	100 % / 90°

Note

The Y input is limited to a max. of DC 10 V, i.e., voltages > DC 10 V are limited

The virtual adjustable span ΔU is max. 30 V

The effective span $\Delta U_w = 10$ V - U_o is between 0 V and 10 V

Example

Define the adjustable span ΔU for an actuator that is to open from 0...50 % (0...45°).
 The offset U_o is 2 V.

Formula

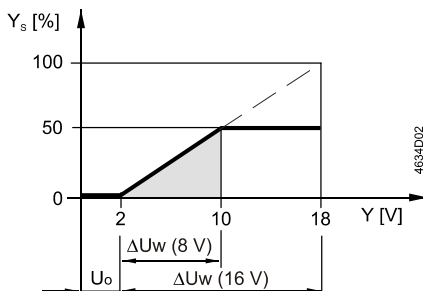
Calculating the setting value for ΔU :

$$\Delta U = \frac{\text{max. positioning range } Y_s \text{ max } [\%]}{\text{span positioning range } Y_s [\%]} \cdot (10 [\text{V}] - U_o [\text{V}]) = \frac{100 \%}{50 \%} \cdot (10 \text{ V} - 2 \text{ V}) = 16 \text{ V}$$

Potentiometer settings

$U_o = 2$ V, $\Delta U = 16$ V

Characteristic function for the example



Max. positioning range

$Y_{s \text{ max}} = 100\%$ (90°)

Span $Y_s = 50\%$ (45°)

Offset $U_o = 2$ V

Virtual span $\Delta U = 16$ V

Effective span $\Delta U_w = 8$ V

3.5 Neutral zone

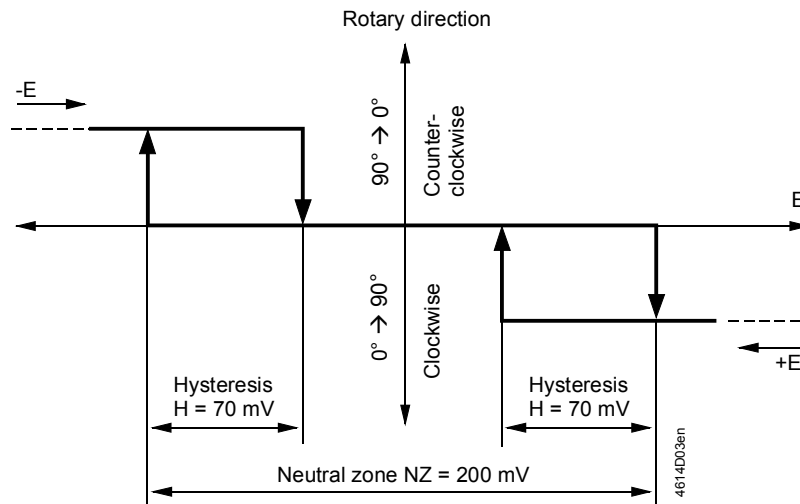
Actuators

GDB16..1../GLB16..1../
GSF16..1
(DC 0...10 V)

Note

For modulating actuators, note the control characteristic for the selected switch-on point of the setpoint. The diagram shows the setting characteristics by including the neutral zone for range DC 0...10 V.

The diagram shows the setting characteristics by including the neutral zone. The values for the neutral zone listed in the diagram apply to DC 0...10 V (without characteristic function).



The diagram shows the relationship between the differential voltage $E = Y - U$ (difference between setpoint Y and actual value U) and the rotary direction, including hysteresis and neutral zone.

Actuators

GDB163.1/GDB164.1
GLB163.1/GLB164.1
(DC 0...35 V)





For DC 0...35 V (with characteristic function) the following values apply:


Neutral zone $NZ = 2\%$ of span ΔU
Hysteresis $H = 0.7\%$ of span ΔU

4 Engineering notes

Introduction	Carefully study the basics of the control systems used before proceeding to the sections below, and pay special attention to all safety-related information.
Intended use	Use these actuators in a system only for applications as described in the basic system documentation of the control systems used. Additionally, note the actuator-specific properties and conditions as described in this chapter and in chapter 8 "Technical data".

4.1 Safety notes

 Please observe the following notes	This chapter explains general and system-specific regulations for mains and operating voltages. It also contains important information regarding your own safety and that of your plant.
 Safety note	The warning triangle to the left means that you must observe all respectively listed regulations and notes. If ignored, injuries and equipment damages may result.
 General regulations	Observe the following general regulations during engineering and project execution: Electric and high-power regulations of the respective country Other mandatory country regulations House installation regulations of the respective country Regulations by the energy supplier Diagrams, cable lists, dispositions, specifications, and instructions as per the customer or the engineering company Third-party regulations from, e.g., the general contractors or building contractors
Safety	Electrical safety in Siemens building automation and control systems primarily depends on extra-low voltage with safe isolation from mains voltage .
SELV, PELV	Depending on the earthing of extra-low voltage, SELV or PELV applications as per HD384 "Electrical plants in buildings" result: Unearthed = Safety Extra-Low Voltage SELV Grounded = Protective by Extra-Low Voltage PELV
 Earthing of G0 (system neutral)	Observe the following for grounding G0: As a rule, earthing as well as nonearthing of G0 is permissible for AC 24 V operating voltage. However, observe all local regulations and customary procedures For functional reasons, earthing may be required or not permissible
<i>Recommendation on earthing G0</i>	As a rule, ground AC 24 V systems if not otherwise indicated by the manufacturer To avoid earth loops, connect systems with PELV to the earth at only one end in the system, normally at the transformer, unless otherwise specified

 Operating voltage
AC 24 V, AC 230 V


The following regulations apply to these operating voltages:

	Regulation
Operating voltage AC 24 V	The operating voltage must comply with the requirements for SELV or PELV: <ul style="list-style-type: none"> Permissible deviation of AC 24 V nominal voltage at the actuators: +/-20 %
Operating voltage AC 230 V	<ul style="list-style-type: none"> Permissible deviation of AC 230 V nominal voltage at the actuators: +/-10 %
Specification on AC 24 V transformers	<ul style="list-style-type: none"> Safety transformers as per EN 61558, with double insulation, designed for 100 % run time to supply SELV or PELV circuits Determine the transformer's power consumption by adding up the power consumption in VA for all actuators used The capacity used from the transformer should amount to at least 50 % of the nominal load for efficiency reasons (power efficiency) The nominal capacity of the transformer must be at least 25 VA. For smaller transformers, the ratio between voltage at idle time to voltage at full load is unsatisfactory (> + 20 %)
Fuse of AC 24 V operating voltage	Transformers, secondary side: <ul style="list-style-type: none"> According to the effective load of all connected devices Line G (system potential) must always be fused Where required, additional line G0 (system neutral)
Fuse of AC 230 V mains voltage	<ul style="list-style-type: none"> Transformers, primary side, as per the applicable installation regulations of the respective country


4.2 Device-specific regulations

 Device safety

Safety for the devices is ensured by (among other aspects):
Supply of AC 24 V extra-low voltage as per **SELV** or **PELV**
Double insulation between AC 230 V mains voltage and SELV/PELV circuits

 Auxiliary switches A, B

Apply **only mains voltage** or **only safety extra-low voltage** to the switching outputs of auxiliary switches A and B. Mixed operation is not permissible. Operation using various phases is not permissible.

 Feedback
potentiometer for
position indication

Include the potentiometer's electric data to indicate the damper position via external switching.

Electrical parallel
connection of actuators

Up to 10 actuators of the same device type can be electrical parallel wired. Cable length and cable cross section have to be respected.

 Caution,
maintenance

See chapter 6 "wiring notes" for more information.

Do not open the actuator.

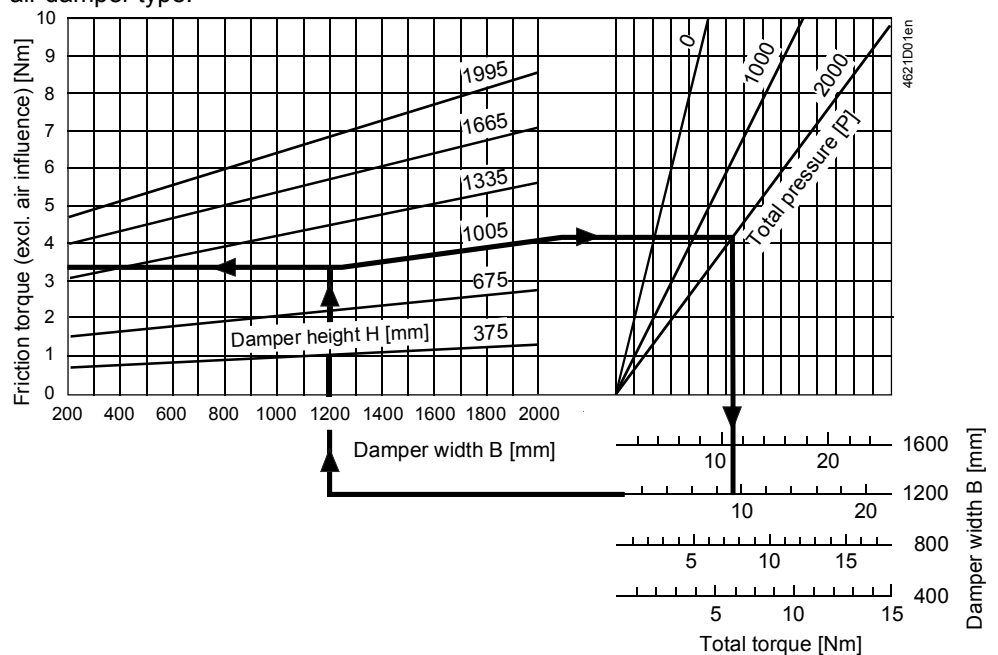
The device is maintenance-free. Only the manufacturer may conduct any repair work.

4.3 Notes on EMC optimization

Running cables in a duct	Make sure to separate high-interference cables from equipment susceptible to interference.
Cable types	Cables emitting interference: Motor cables, particularly motors used with variable speed drives, energy cables Cables susceptible to interference: Control cables, extra-low voltage cables, interface cables, LAN cables, digital and analog signal cables
Cable segregation	<ul style="list-style-type: none"> You can run both cable types in the same cable ducting, but in different compartments If ducting with three closed sides and a partition is not available, separate the interference-emitting cables from other cables by a minimum of 150 mm or route in separate ducting Cross high-interference cables with equipment susceptible to interference only at right angles When, as an exception, signal and interference-emitting supply cables are run in parallel, the risk of interference is very high. In this case, limit the cable length of the positioning signal line DC 0...10 V for modulating actuators
Unshielded cables	We recommend using unshielded cables. When selecting unshielded cables, follow the manufacturer's installation recommendations. In general, unshielded twisted-pair cables have sufficient EMC characteristics for building services (incl. data applications) as well as the advantage that no provision is required for coupling to the surrounding earth.

4.4 Determining the actuator

Required actuator torque	<p>Selection of the actuator depends on several torque factors. After obtaining the damper torque rating [Nm/m^2] from the manufacturer and determining the damper area, calculate the total torque required to move the damper as follows:</p> <p>Total torque [Nm] = torque rating [Nm/m^2] \times damper area [m^2].</p> <p>Instead of the torque rating, the total torque can also be determined from the manufacturer's sizing diagrams.</p>
Sizing chart	The following diagram (example EMCO) allows for determining the total torque for this air damper type.



Example

Damper for blinds:
Width = 1200 mm
Height = 1005 mm
Total pressure = 2000 Pa

The total torque of about **10 Nm** results from the chart.

Determining the actuator type

Determine your type of actuator from the table below:

If $\frac{\text{total torque [Nm]}}{\text{SF}^1}$	then use type
$\leq 15 \text{ Nm}$	GEB..1 (15 Nm) ²
$\leq 25 \text{ Nm}$	GBB..1 (25 Nm) ³
$\leq 30 \text{ Nm}$	2 x GEB..1 (2 x 15 Nm) ⁴
$\leq 35 \text{ Nm}$	GIB..1 (35 Nm) ⁵
$\leq 70 \text{ Nm}$	2 x GIB..1 (2 x 35 Nm) ⁶

Notes

¹ Safety Factor SF:

When calculating the number of actuators, remember to include non-definable variables such as slight misalignment, damper age, etc., as a safety factor. We recommend a total safety factor of 0.8.

Apply the same factor when calculating the actuator torque by the torque rating.

If the required actuator torque is greater than 10 Nm, you can use the following:

² One actuator of type series GEB...1 or

³ One actuator of type series GBB...1 or

⁴ Two actuators (tandem-mounted "Powerpack") of type series GEB13..1, GEB33..1, or

⁵ One actuator of type series GIB...1 .

⁶ If the actuator torque is greater than 35 Nm, two actuators of type series GIB...1 can mechanically be connected and mounted on the damper shaft.
(See data sheets N4621, N4626, N4656 and N4698).

5 Mounting notes

Mounting instructions	All information and steps to properly prepare and mount the actuator are available in the Mounting Instructions 4 319 2883 0 (M4634), and 74 319 0394 0 (M4628) delivered with the actuator.
Mounting position	Choose the actuator's mounting position so that you can easily access the cables, the setting elements on the front of the actuator, as well as the terminal strip and the post headers. Refer to section 11.11 and 11.12 "Dimensions".
Device protection	IP54 (note mounting instructions)
Mounting bracket	The mounting bracket (see dimensions) is required for mounting on the damper shaft. The insertion depth for the bolt into the housing must be sufficient and guaranteed.
Factory setting	The actuator comes with a factory setting of +5° which ensures a tight close-off for the air dampers.
Manual adjustment	The actuator can be manually adjusted by pushing the gear train disengagement button.
Mechanical limitation of rotary angle	If necessary, you can limit the rotary angle at increments of 2° for the entire span by positioning the adjustment lever with shaft fastening screw in the respective position.
Damper shafts	Refer to chapter 8 "Technical data" for information on minimum length and diameter of the damper shafts.
Use of rotary/linear sets	Mount the mounting sets for converting a rotary movement to linear movement (section 2.2 "Type summary") as per the separate Mounting Instructions.

6 Wiring notes

Introduction

Prior to wiring, study all information in the following sections:

- “Safety notes” in section 4.1
- “Device-specific regulations” in section 4.2
- “Notes on EMC optimization” in section 4.3
- “Diagrams” in chapter 0, and the HVAC plant diagram.

6.1 Permissible line lengths and cross-sectional area

The line lengths and cross-sectional areas depend on the actuators power consumption and the permissible voltage drop of the connection lines to the actuator. Determine the necessary line length from the following diagram and the formulas.

Note

To determine the line length and cross section, adhere to the permissible operating voltage tolerance at the actuator (see chapter 8 “Technical data”) in addition to the permissible voltage drop between the signal and supply lines (see table below).

Permissible voltage drop

The line sizing between the controller and the actuators depends on the actuator type used and is determined on the following basis.

Type	Operating voltage	Line	Max. permissible voltage drop
GDB/GLB13..1..	AC 24 V	G, Y1, Y2	4 % each (tot. 8 %) of AC 24 V
GDB16..1/GLB16..1.. / GSF16..1	AC 24 V	G0, G G0, Y, U	4 % each (tot. 8 %) of AC 24 V 1 % of DC 10 V
GDB/GLB32..1	AC 230 V	L, N	2 % each (tot. 4 %) of AC 230V

Notes on the G0 line

GDB16..1./ GLB16..1../
GSF16..1

Consider the following criteria:

For modulating control:

The permissible positioning signal error caused by a voltage drop in the line current on the G0 line must not exceed 1 %

The G0 line's voltage drop caused by surges in the DC circuit in the actuator may not exceed 2 V_{pp}

In the case of improper sizing of the G0 line, actuator load changes may cause natural oscillation due to a change in the DC voltage drop

The supply voltage loss at AC 24 V may not exceed 8 % (4 % over G0 line)

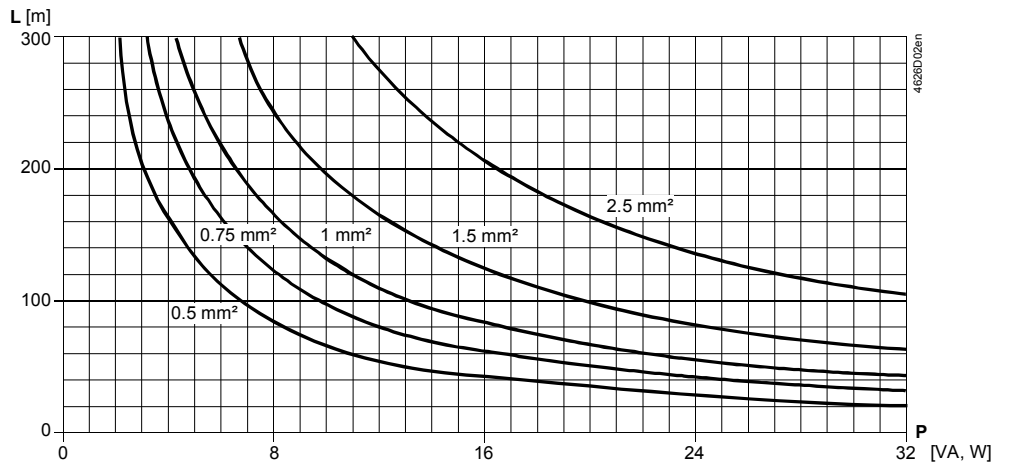
DC voltage drop across the G0 line is caused as follows:

- Asymmetrically in the internal actuator supply (ca. DC 8 mA)
- Positioning signal current DC 0.1 mA (from Y = DC 10...10 V)
- Positioning signal current DC 1 mA (from U = DC 0...10 V)

It can be ignored for the following aspects

**Line length/consumption
AC 24 V**

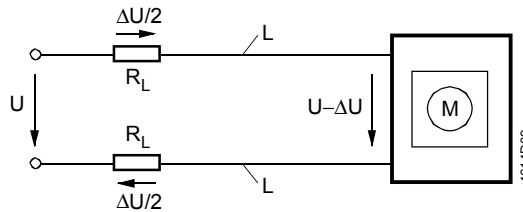
The chart applies to AC 24 V and shows the permissible line length **L** as a function of consumption **P** and as a parameter of the line cross sections.



Notes on chart

The values in [VA, W] on the P-axis are allocated to the permissible voltage drops ($\Delta U/2U = 4\%$) on line L as per the above table and to the diagram P is the primary power consumption for all actuators connected in parallel

Basic diagram:
Voltage drop on the supply lines



Formula for line length

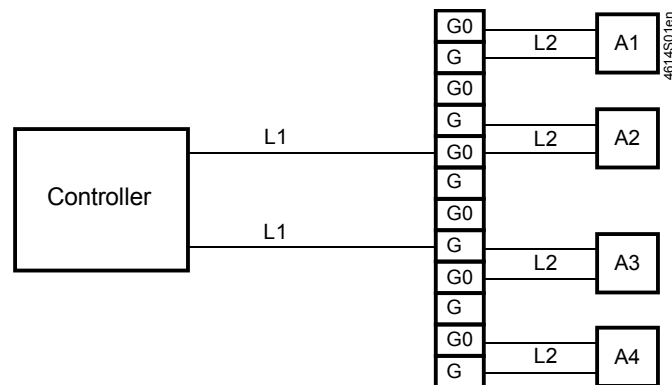
The maximum line length can be calculated using the following formula:

Operating voltage	Perm. voltage drop / line	Formula for line length
AC 24 V	4 % of AC 24 V	$L = \frac{1313 \cdot A}{P}$ [m]
	1 % of DC 10 V	$L = \frac{5.47 \cdot A}{I(DC)}$ [m]
AC 230 V	2 % of AC 230 V	$L = 46 \cdot \frac{1313 \cdot A}{P}$ [m]

- A Line cross section in [mm²]
- L Permissible line length in [m]
- P Power consumption in [VA] or [W];
the value is printed on the actuator's type plate
- I(DC) DC current portion in line G0 in [A]

Line length for actuators connected in parallel

The following sections show how to determine the permissible line length and cross sections for the various actuators based on examples.
The examples for actuators connected in parallel apply to the following arrangement:



Assumption

The line resistances of L2 are equal and can be ignored for L1. Separately calculate the permissible line lengths L2 for other connections (ring, star-like).

6.2 Actuator wiring (three-position)

Actuators with three-position control

GDB/GLB13..1..

Power consumption and perm. voltage drop with one actuator

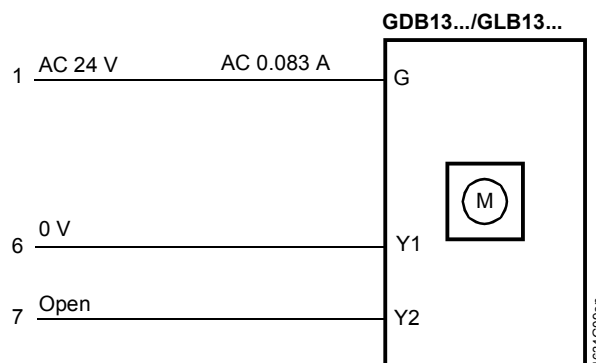
With three-position actuators, only the situation as presented under AC 24 V is important. Sizing takes place via lines 1 (G), 6 (Y1), and 7 (Y2).

The table shows the power consumption of an actuator as well as the permissible voltage drop.

Operating voltage/pos. signal	Power consumption	Perm. voltage drop for line 1 (G), 6 (Y1), 7 (Y2)
AC 24 V	2 VA	$\Delta U/U = \text{max. } 8 \% (4 \% \text{ each per line})$

Diagram:
Conduction currents at AC 24 V

The diagram shows the currents in the connecting lines for one actuator.



Example:

Parallel connection of two actuators

Determining the line lengths for two actuators GDB/GLB13..1 and AC 24 V supply.

Only the currents in line 1 (G) and 6 (Y1) or 7 (Y2) determine the line sizing.

Max. permissible voltage drop = **4 % per line** (total 8 %).

Consumption = $2 \times 2 \text{ VA} = 4 \text{ VA}$.

Line current = $2 \times 0.083 \text{ A} = 0.167 \text{ A}$.

Max. permissible single line length: 275 m at 0.75 mm^2 cross-sectional area section.

6.3 Actuator wiring (modulating)

Modulating actuators

GDB16..1../GLB16..1../
GSF16..1

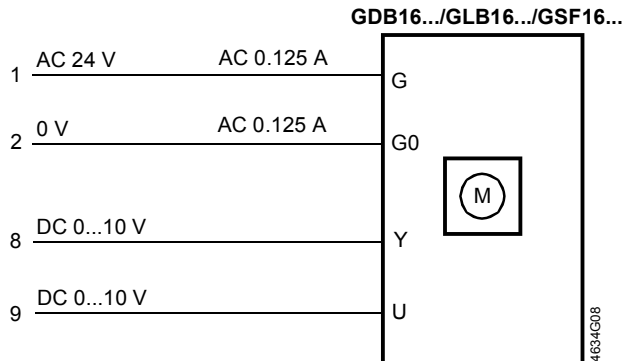
Power consumption and
perm. voltage drop with
one actuator

With AC supply, the G0 line has an AC 0.23 A supply current and a DC 0.1 mA positioning signal current (from Y = DC 0...10 V). The AC voltage drop on the G0 line does not impact the positioning signal Y.

Operating voltage	Power consumption	Perm. voltage drop for line 1 (G)2 (G0)
AC 24 V	3 VA	4 % of AC 24 V

Diagram:
Currents

The diagram shows the currents in the connecting lines for **one actuator**.



Example:

Parallel connection of four
actuators

Determining the line lengths for four actuators GDB16..1 / GLB16..1 / GSF16..1 and AC 24 V supply. Only the AC currents in line 1 (G) and 2 (G0) determine the line sizing.
Max. permissible voltage drop = **4 % per line**.

Consumption = $4 \times 3 \text{ VA} = 12 \text{ VA}$

Line current = $4 \times 0.125 \text{ A} = 0.5 \text{ A}$

Permissible single line length for G, G0:

- 165 m at 1.5 mm^2 line cross section, or
- 275 m at 2.5 mm^2 line cross section

7 Commissioning notes

References

All information necessary for commissioning is contained in the following:
This document ("Technical basics" Z4634en)
Mounting Instructions 74 319 2883 0 (M4634)
HVAC plant diagram

7.1 General checks

Environmental conditions

Check to ensure that all permissible values as contained in chapter 8 "Technical data" are observed.

Mechanical check

Check for proper mounting and to ensure that all mechanical settings correspond to the plant-specific requirements. Additionally, ensure that the dampers are shut tight when in the closed fully position

Fasten the actuator securely to avoid side load

Rotary movement check: Manually change the damper setting by pressing the gear train disengagement button and turn the adapter (only if not voltage is applied)

Electrical check

Check to ensure that the cables are connected in accordance with the plant wiring diagram

The operating voltage AC 24 V (SELV/PELV) or AC 230 V must be within the tolerance values

7.2 Electrical functional check

Rotary movement:

Three-position control

GDB13..1 / GLB13..1,

GDB33..1 / GLB33..1

Check the actuator operating states as follows (see also section 9.3 "Connection diagrams (three-position control))

Wire connections		Rotary direction
AC 24 V	AC 230 V	
1 – 6	4 – 6	Clockwise
1 – 7	4 – 7	Counter-clockwise
1 – 6 / 1 – 7 open	4 – 6 / 4 – 7 open	Actuator stays in position reached

Rotary movement:

Modulating control

GDB16..1./GLB16..1./

GSF16..1

Check the actuator operating states as follows (see also section 9.4 "Connection diagrams (modulating)"):

When applying input signal $Y = DC 10 V$, the actuator turns (clockwise or counter-clockwise as per the DIL switch setting)

After interrupting the AC 24 V operating voltage, the actuator stops

After interrupting positioning signal Y , but while operating voltage is still supplied, the actuator returns to the zero position

Characteristic function for the positioning signal

GDB163.1 / GLB163.1,

GDB164.1 / GLB164.1

Note

Factory setting: The potentiometers for setting the offset U_0 and span ΔU are set to the following values: $U_0 = 0 V$, $\Delta U = 10 V$.

Specify the values set for U_0 and ΔU in the plant papers.

Position indicator

Check of output voltage U :

$U = DC 0...10 V$ for rotary angle 90°

Feedback potentiometer

Measures resistance changes while the actuator turns from 0 to 90° .

**Auxiliary switches
A and B**

Switchover of the auxiliary switch contacts “A” and “B” as soon as the actuator reaches the respective switching positions

Set the setting shafts with a screwdriver to the desired value (see section 3.2, “Rotary range and mechanical limitation”).

Important

The angle values are valid only for the **zero** position of the actuator (clockwise direction).

Factory setting

The auxiliary switches have the following factory settings:

Switch A: Switchover point at 5°

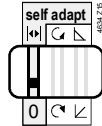
Switch B: Switchover point at 85°

DIL switches for GDB16..1../GLB16..1../GSF16..1

DIL switch settings

The following functions can be set and thus require checking.

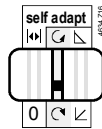
*DIL switch 1:
Self-adaption*



Self-adaption can either be ON or OFF. See “Functions” for a functional description

Factory setting: Self-adaption OFF (0)

*DIL switch 2:
Direction of rotation*



The rotational movement direction must match the desired damper movement direction (clockwise or counter-clockwise)

Factory setting: Clockwise direction (↻)

*DIL switch 3:
Output voltage characteristics for position indication*

The operating action of output voltage U of the electrical position indication can be selected independent of the rotational movement direction. The following variants are possible:

Rot. movement direction 0...90°	DIL switch position	Output voltage U
↻	↙ non-inverted	DC 0...10 V
↻	↘ inverted	DC 10...0 V
↺	↙ non-inverted	DC 0...10 V
↺	↘ inverted	DC 10...0 V

Factory setting



Characteristic non-inverted (↙)

$Y_S = 0...100\%$ (0°...90°)

U = DC 0...10 V

Control signal operating function, factory setting

The potentiometers which are used to set the offset and span have the following factory setting: offset $U_0 = 0\text{ V}$; span $\Delta U = 10\text{ V}$

The desired value can be adjusted using a flat blade screwdriver in accordance with the information supplied in “Technical design”.

8 Technical data

! AC 24 V supply (SELV/PELV) for GDB13..1../GLB13..1../GDB16..1../GLB16..1../GSF16..1

Operating voltage	AC 24 V ± 20 %
Frequency	50/60 Hz
Safety extra-low-voltage (SELV) or Protective extra-low-voltage (PELV) as per Requirements for external safety isolating transformer (100 % duty)	HD 384 as per EN 61 558
Supply line fuse	max. 10 A
Power consumption GDB/GLB13..1: Running	2 VA / 1 W
GDB/GLB16..1: Running	3 VA / 2 W
Holding	1 W
Power consumption GSF16..1: Running	4 VA / 3.7 W
Holding	2 W

! AC 230 V power supply for GDB/GLB33..1

Operating voltage	AC 230 V ± 10 %
Frequency	50/60 Hz
Supply line fuse	max. 10 A
Power consumption Running	2 VA / 1W

Functional data

Nominal torque	5 Nm (GDB / 10 Nm (GLB) 2 Nm (GSF)
Maximum torque (when locked)	7 Nm (GDB / 14 Nm (GLB) 3.5 Nm (GSF)
Minimum holding torque	5 Nm (GDB / 10 Nm (GLB) 2 Nm (GSF)
Nominal rotary angle (with position indication)	90 °
Maximum rotary angle (mechanic limitation)	95° ± 2°
Runtime for 90° rotary angle	150 s (GDB / GLB) 20 s (GSF)
Mechanical life	10 ⁵ cycles

! **Inputs**
Positioning signal for GDB13..1../GLB13..1..

Operating voltage AC 24 V (wires 1-6/G-Y1)	clockwise
(wires 1-7/G-Y2)	counterclockwise

Positioning signal for GDB33..1/GLB33..1

Operating voltage AC 230 V (wires 4-6/N-Y1)	clockwise
(wires 4-7/N-Y1-Y2)	counterclockwise

Positioning signal for GDB16..1../GLB16..1../GSF16..1

Input voltage (wires 8-2/Y-G0)	DC 0...10 V
Current consumption	0.1 mA
Input resistance	> 100 kΩ
Max. permissible input voltage	DC 35 V limited to 10 V
Protected against faulty wiring	max. AC 24 V
Neutral zone for non-adjustable characteristic function	200 mV
for adjustable characteristic function	2 % of ΔU
Hysteresis for non-adjustable characteristic function	70 mV
for adjustable characteristic function	0.7 % of ΔU

Adjustable characteristic function for GDB163.1../GLB163.1.., GDB164.1/GLB164.1

Adjustable with 2 potentiometers:	
Offset U ₀	DC 0...5 V
Span ΔU	DC 2...30 V
Max. input voltage	DC 35 V
Protected against faulty wiring	max. AC 24 V

! **Outputs**
Position indicator for GDB16..1../GLB16..1../GSF16..1

Output signal (wires 9-2/U-G0)	
Output voltage U	DC 0...10 V
Max. output current	DC ± 1 mA
Protected against faulty wiring	max. AC 24 V



Feedback potentiometer for GDB132.1/GLB132.1, GDB332.1/GLB332.1

Change of resistance (wires P1-P2)	0...1000 Ω
Load	< 1 W
Max. sliding contact current	< 10 mA
Permissible voltage at potentiometer (SELV/PELV)	AC 24 V
Insulation resistance between potentiometer and housing	AC 500 V



Auxiliary switches
for GDB136.1/GLB136.1
GDB336.1/GLB336.1
GDB164.1/GLB164.1
GDB166.1/GLB166.1

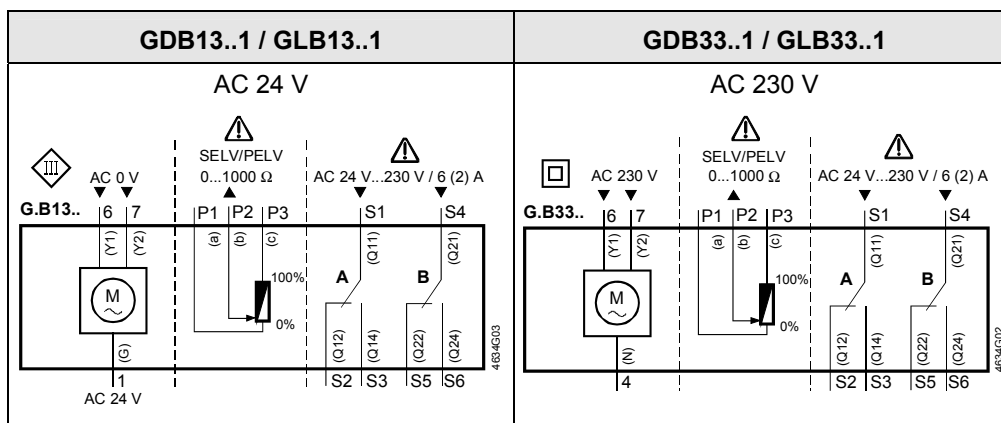
Contact rating	6 A resistive, 2 A inductive	6 A resistive, 2 A inductive
Life:	6 A resistive, 2 A inductive 5 A resistive, 1 A inductive without load	10 ⁴ switchings 5 x 10 ⁴ switchings 10 ⁶ switchings
Switching voltage		AC 24...230 V
Nominal current resistive/inductive		6 A / 2 A
Electric strength auxiliary switch against housing		AC 4 kV
Switching range for auxiliary switches		5°...90°
Setting increments		5°
Switching hysteresis		2°
Factory switch setting		
Switch A		5°
Switch B		85°

Connection cables	Cross section of prewired connection cables	0.75 mm ²
	Standard cable length	0.9 m
	Permissible length for signal lines	300 m (see chapter 6)
Degree of protection of housing	Degree of protection as per EN 60 529 and M4634	IP54
Protection class	Insulation class	as per EN 60 730
	AC 24 V, Feedback potentiometer	III
	AC 230 V, Auxiliary switches	II
Environmental conditions	Operation	IEC 721-3-3
	Climatic conditions	Class 3K5
	Mounting location	interior, weather-protected
	Temperature extended	-32...+55 °C
	Humidity (non-condensing)	< RH 95 %
	Transport	IEC 721-3-2
	Climatic conditions	Class 2K3
	Temperature extended	-32...+70 °C
	Humidity (non-condensing)	< 95 % R.H.
	Storage	IEC 721-3-1
	Climatic conditions	Class 1K3
	Temperature extended	-32...+50 °C
	Humidity (non-condensing)	< 95 % R.H.
	Mechanical conditions	Class 2M2
Standards and directives	Product safety	
	Automatic electrical controls for household and similar use	EN 60 730-2-14 (type 1)
	Electromagnetic compatibility (EMC)	
	Immunity for all models, except GDB/GLB. 32.1	IEC/EN 61 000-6-2
	Immunity for GDB/GLB.32.1	IEC/EN 61 000-6-1
	Emissions for all models	IEC/EN 61 000-6-3
	 Conformity to	
	EMC-directive	2004/108/EEC
	Low-voltage directive	2006/95/EEC
	 C-Tick conformity to	
	Radio Interference Emission Standard	AS/NZS 61000-6-3
Dimensions	Actuator W x H x D (see "Dimensions 11.1")	70.7 x 137.0 x 60.6 mm
	Damper shaft	
	round	8...16 mm
	round	8...10 mm with centering element
	Square	6...12.8 mm
	Min. length	30 mm
	Max. shaft hardness	< 300 HV
Weight	Standard type without packaging	0.48 kg

9 Diagrams

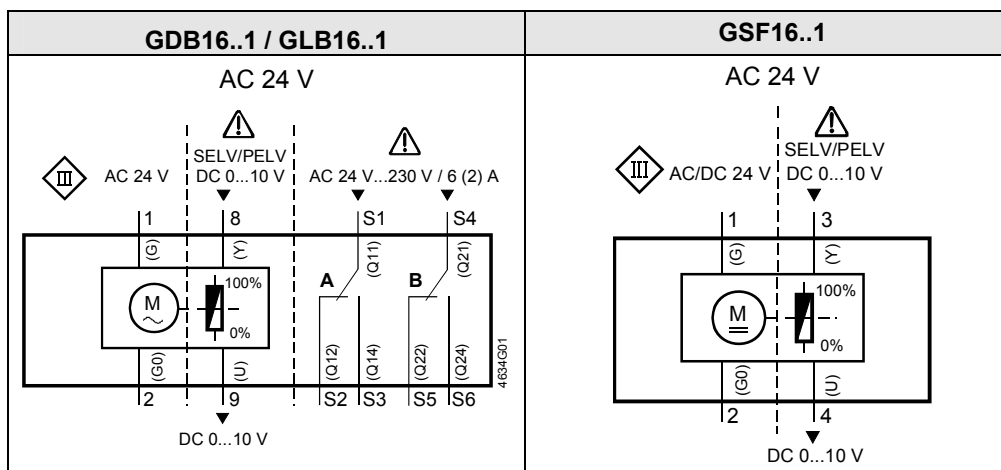
9.1 Internal diagrams

Three-position control



Modulating control

Y = DC 0...10 V, 0...35 V



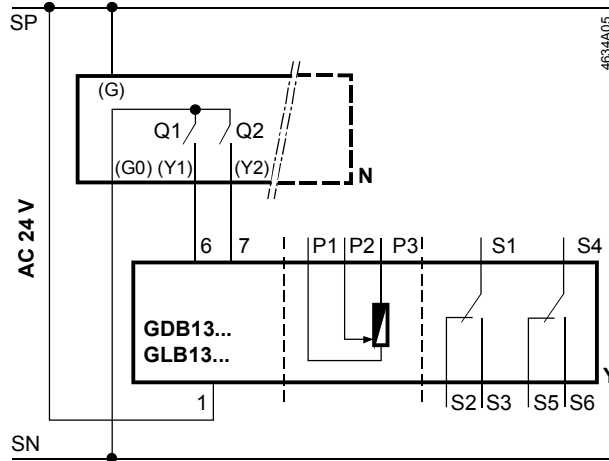
9.2 Cable labeling

All wires are color-coded and labeled.

Pin	Cable			Meaning
	Code	No.	Color Abbreviation	
Actuators AC 24V	G	1	red RD	System potential AC 24 V
	G0	2	black BK	System neutral
	Y1	6	purple VT	Positioning signal AC 0 V, "clockwise"
	Y2	7	orange OG	Positioning signal AC 0 V, "counter-clockwise"
	Y	8	gray GY	Pos. signal DC 0...10 V, 0...35 V
Actuators AC 230V	U	9	pink PK	Position indication DC 0...10 V
	N	4	blue BU	Neutral conductor
Auxiliary switches	Y1	6	black BK	Positioning signal AC 230 V, "clockwise"
	Y2	7	white WH	Pos. signal AC 230 V, "counter-clockwise"
	Q11	S1	gray/red GY RD	Switch A Input
Feedback potentiometer	Q12	S2	gray/blue GY BU	Switch A Normally Closed contact
	Q14	S3	gray/pink GY PK	Switch A Normally Open contact
	Q21	S4	black/red BK RD	Switch B Input
	Q22	S5	black/blue BK BU	Switch B Normally Closed contact
	Q24	S6	black/pink BK PK	Switch B Normally Open contact
	a	P1	white/red WH RD	Potentiometer 0...100 % (P1-P2)
b	P2	white/blue WH BU	Potentiometer pick-off	
c	P3	white/pink WH PK	Potentiometer 100...0 % (P3-P2)	

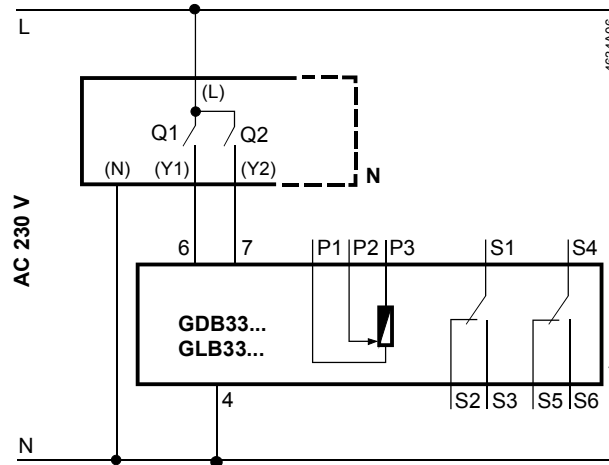
9.3 Connection diagrams (three-position control)

GDB13..1.. / GLB13..1..
AC 24 V



N Controller
Y Actuator GDB/GLB13..1..
SP System potential AC 24 V
SN System neutral
Q1, Q2 Controller contacts

GDB33..1 / GLB33..1
AC 230 V



N Controller
Y Actuator GDB/GLB33..1
L System potential AC 230 V
N System neutral
Q1, Q2 Controller contacts

Operating states for
actuators
GDB13..1../GLB13..1..
GDB33..1/GLB33..1

The table shows the actuator's operating state for rotary directions of rotation regardless of the position of the controller contacts Q1 and Q2.

Controller contacts		Operating state
Q1	Q2	
		Remains in current position
		↻
		↺
		Not permissible

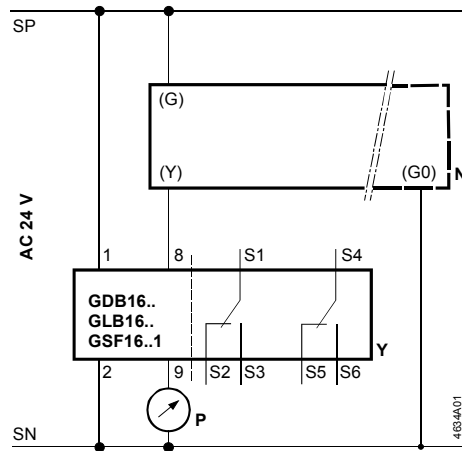
4621T02en

9.4 Connection diagrams (modulating)

9.4.1 Typical application

The controller output is connected directly to the actuator input.

GDB16..1.. / GLB16..1.. /
GSF16..1

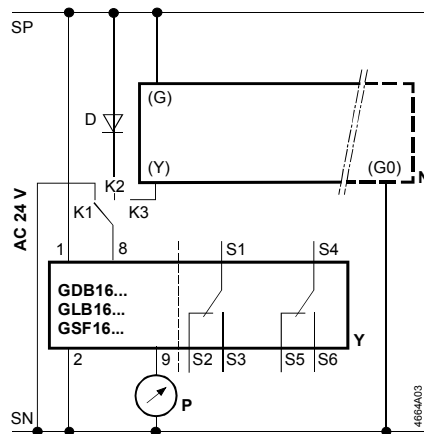


N Controller
Y Actuator GDB16..1../GLB16..1../
GSF16..1
P Position indication
SP System potential AC 24 V
SN System neutral

9.4.2 Special diagram for modulating control

The following connection enable different operating states of the actuator depending on the position of the changeover switch featuring switch contacts K1, K2, K3 (see table of operating states).

Modulating control, fully
open, fully closed with
GDB16..1../GLB16..1../
GSF16..1



N Controller
Y Actuator GDB16..1../GLB16..1../
GSF16..1
P Position indication
SP System potential AC 24 V
SN System neutral
D Diode (e.g. R4000)
K1...K3 Switch contacts (10 V / 0.1 mA)

Operating states with
GDB16..1../GLB16..1../
GSF16..1

Switch contacts	Operating state	Rotary direction	
K3	Modulating control		
K2	Fully open		
K1	Fully closed		
DIL switch position			

Note

*) Full opening for actuator types with adjustable characteristic function depends on the set voltage values (U_0 , ΔU) and the supply voltage tolerance

10 Environmental compatibility and disposal

General notes

This actuator was developed and manufactured by using environmentally-compatible materials and by complying with environmental standards.

For disposal, please remember the following at the end of product life or on defects:

The device consists of

- Plastics
- Materials such as steel, ferrite magnetic core, etc.

Do not dispose of as household garbage. This particularly applies to the circuit board.

As a rule, dispose of all waste in an environmentally compatible manner and in accordance with environmental, recycling, and disposal techniques.

Adhere to all local and applicable laws

The aim is to achieve maximum recyclability at the lowest possible pollution. To do this, note the various material and disposal notes printed on specific parts

Environmental declaration

The environmental declarations for these actuators contain detailed information on the materials and volumes used. Request a declaration at your local Siemens sales office.

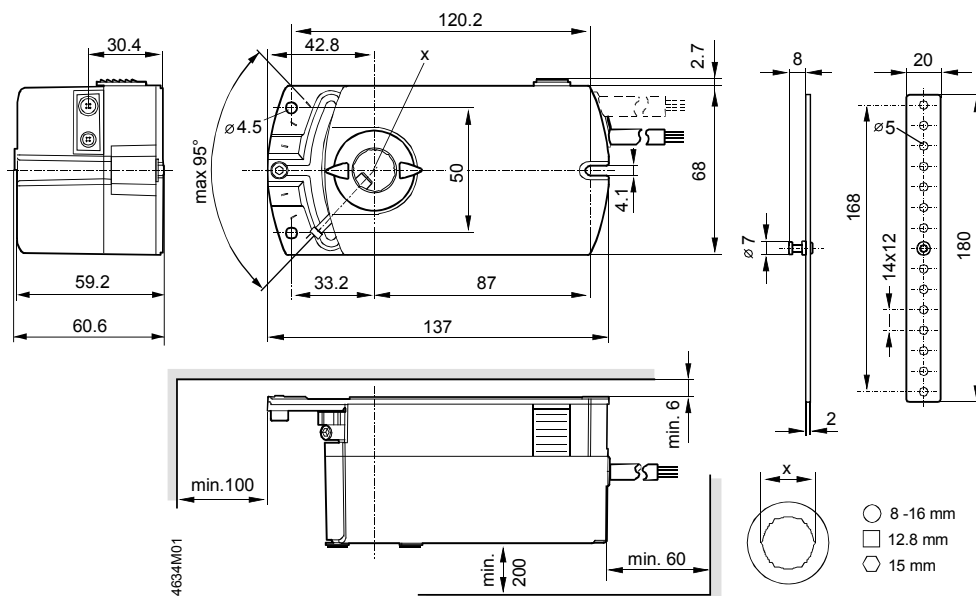
11 Appendix

Chapter contents

This chapter contains:

- Actuator dimensions
- Referenced documents

11.1 Dimensions



Dimensions in mm

11.2 Referenced documents

Purpose of this listing

The previous chapters contain all information relevant to safety and project-specific requirements, mounting, wiring, and commissioning of actuators.

Documents and standards

The following list contains all documents referenced by this document on basics:

- Data Sheets (N....) with detailed specifications
- Technical basics (Z....) with basics on air damper actuators
- Mounting Instructions (M....), documents supplied with product

Note

The document and classification numbers listed in the table below match those of the Database STEP on the company-internal Intranet.

Standards

All standards and directives relevant to engineering are also listed.

Technical documentation

Type series
GDB...1/GLB...1/GSF...1

Document number (classification no.)	Title/description	Contents
CM2N4634en (N4634)	Actuators for air dampers, rotary version (GDB...1/GLB...1/GSF...1: Three-pos. and modulating	Type overview, function and selection criteria
4 319 2883 0 (M4634)	Mounting instructions on GDB...1 und GLB...1/GSF...1	Instructions on mounting a rotary actuator without spring return

Accessories for type series
GDB..1../GLB..1../GSF..1

CM2N4698en (N4698)	Accessories and spare parts for actuators GDB...1., GLB...1., GSF..1	Overview, allocation to actuator type, and application
74 319 0000 0 (M4634.1)	Rotary/linear set with lever ASK71.5	Mounting Instructions and application examples
74 319 0026 0 (M4634.2)	Rotary/linear set with lever and angle bracket for duct and wall mounting ASK71.6	
74 319 0236 0 (M4614.1)	Universal lever ASK71.9	
7431906620 (M4634.3)	ASK75.5 Weather shield for rotary actuator ASK75.5 Weather shield for linear actuator	
	Shaft insert ASK78.3	
	Centering insert round ½"	
	ASK78.5	
	Centering insert square profile 8 mm	
	ASK78.6	
	Centering insert square profile 10 mm	
	ASK78.7	
	Centering insert round 10 mm	
	ASK78.9	
	Centering insert round 12 mm	
	ASK78.10	
	Centering insert D-Profile FIX dia 12 x 9 mm	
	ASK78.12	
	Centering insert, square profile 8 mm	
	ASK78.14	

Standards

HD 384	Electrical installations in buildings
EN 61 558	Safety of transformers, mains-powered units and similar equipment
EN 60 730	Automatic electrical controls for household and similar use
IEC/EN 61 000-6-3	Electromagnetic compatibility: Emissions
IEC/EN 61 000-6-1 IEC/EN 61 000-6-2	Electromagnetic compatibility: Immunity
2004/108/EEC	Directive for electromagnetic compatibility
2006/95/EEC	Low-voltage directive

Siemens Schweiz AG
Sektor Infrastructure & Cities
Building Technologies Division
Gubelstrasse 22
6301 Zug
Schweiz
Tel. +41 41-724 24 24
www.siemens.com/sbt

© 2012 Siemens Schweiz AG
Änderungen vorbehalten