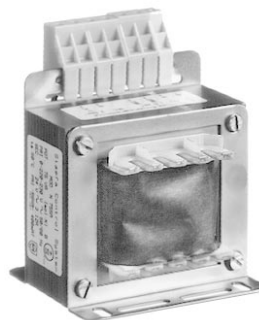


N..SA Safety transformer without housing

Application

These transformers provide a 24 V supply voltage suitable for Landis & Staefa controllers, from a mains voltage of 220 or 230 V.



N..SA

Brief description

The transformers are single-phase, concentrically wound safety transformers with separate windings, designed for control panel installation.

They comply with European standard EN60742 and bear the safety mark.

Type summary

Type	Max. power [VA]	Fuse		Nominal current I s	Weight incl. packaging [kg]
		primary	or secondary		
N38SA	38	200 mA	T1.6 A	1.58 A	1.2
N75SA	75	400 mA	T3.15 A	3.12 A	1.8
N150SA	150	800 mA	T3.6 A	6.25 A	3.5
N240SA	240	1.25 A	-	10 A	4.8
N380SA	380	2 A	-	15.80 A	8.1

Technical data

Primary voltage 1	230 VAC, 50 ... 60 Hz
Primary voltage 2	220 VAC, 50 ... 60 Hz
Secondary voltage	24 VAC
Isolation voltage	≥ 3750 V
Protection standard	IP00 to IEC529
Protection class	I
Mounting position	Any
Ambient temperature	0 ... 50 °C

Connecting the transformers

The transformers must be protected on the primary side with a fuse (see "Type summary" for rating).

In addition to the above, the regulations of the local or national electricity supply company must be observed.

Note:

When used with Landis & Staefa controllers, the transformers must not be earthed on the secondary side.

Calculating the transformer power

Different control loops may be connected to the same transformer.

The transformer power can be calculated by adding together the consumption of each of the connected devices. For valves, a figure of 1.5 times the nominal power of the valve should be used. In the case of valves connected in a sequence where there is only ever one valve open at a time (heating / cooling), only the larger valve need be included in the calculation. Where it is possible for several valves to be open at the same time, the nominal power of all connected valves must be added together. Note that the maximum power consumption per controller must not exceed 40 W.

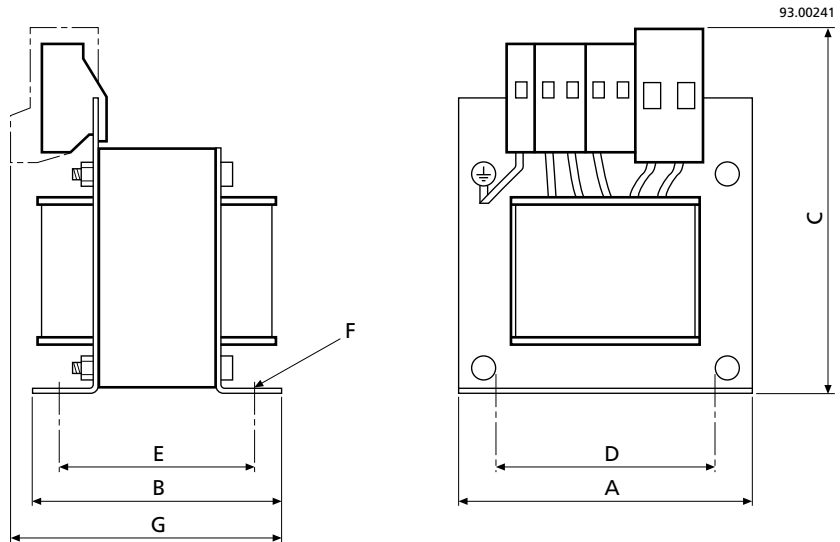
Example

1 controller	4 VA
1 heating valve, type M3P32G	– VA
1 cooling valve, type M3P40G (26 W·1.5)	39 VA
1 damper actuator, type AUH250	5 VA
Total	<u>48 VA</u>

Required transformer

N75SA

Dimensions [mm]



Type	N38SA	N75SA	N150SA	N240SA	N380SA
A	85	86	100	125	152
B	65	75	96	90	105
C	100	105	118	140	170
D	65	65	84	90	122
E	50	60	81	75	85
F	5 x12	5 x12	6 x11	6 x11	7 x13
G	–	–	–	115	115