

Ordering

<i>Product number</i>	<i>Designation</i>
RMZ785	Universal modul (8 UI)
RMZ787	Universal modul (4 UI, 4 DO)
RMZ788	Universal modul (4 UI, 2 AO, 2 DO)
RMZ789	Universal modul (6 UI, 2 AO, 4 DO)

When ordering, please give name and type reference, for example:

Universal module **RMZ785**

The module connector listed under "Accessories" must be ordered as a separate item, if required.

Equipment combinations

The universal modules must be used in connection with controls of the Synco™ 700 family. At present, the following combinations are possible:

<i>Type of Synco device</i>	<i>RMZ785</i>	<i>RMZ787</i>	<i>RMZ788</i>	<i>RMZ789</i>
Universal controller RMUB..	•	•	•	–
Heating controller RMH760B	–	•	–	•
Boiler sequence controller RMK770	•	•	•	•
Control center RMB795	•	•	–	–
Control and monitoring unit RMS705B	•	•	•	–

For details of these Synco devices, refer to Product Range Description S3110 or the document of the selected application.

Product documentation

<i>Name</i>	<i>Document no.</i>
Mounting Instructions	M3110
Product Range Description	S3110
Declaration of Conformity (CE)	T3110
Environmental Declaration	E3110...02

Technical design

The RMZ78... universal modules complement the range of Synco™ 700 controls. They cannot be operated autonomously.

The universal modules are incorporated into the Synco™ 700 controls in the basic configuration. All settings associated with the universal modules are made on the relevant Synco™ 700 control.

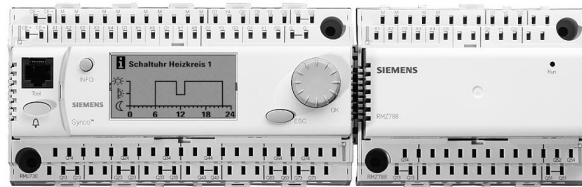
The signals from sensors, signal sources, etc., are delivered to the Synco™ 700 device for handling. The control signals and commands generated by the control are fed back to the respective universal module from where they are passed on to the connected actuating devices.

The universal module is powered by the relevant Synco™ 700 control, which also identifies and monitors the module.

Mechanical design

Basic design

In terms of mechanical design, the extension modules are identical with the Synco™ 700 controls, No wiring is required between the individual modules or between module and controller. The electrical connections are established by attaching the module to the control.

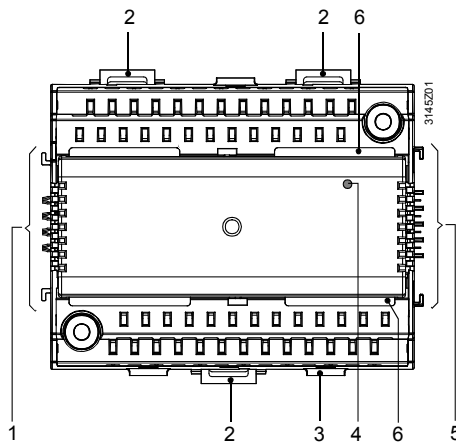


Synco™ 700 controller with attached RMZ78... module

Operation

The extension modules have no setting and operating elements. Operation is accomplished with the help of the RMZ790 or RMZ791 operator unit. Exception is the LED, which indicates the module's operating state.

Operating, display and connecting elements



- 1 Connecting elements for Synco™ 700 control or another extension module
- 2 Catch for fitting the module to a top hat rail
- 3 Fixing facility for the cable tie (cable strain relief)
- 4 LED (green) for indicating the operating state
- 5 Connecting elements for another extension module
- 6 Rest for the terminal cover

Accessories

<i>Accessory</i>	<i>Type reference</i>	<i>Data Sheet</i>
Module connector	RMZ780	N3138

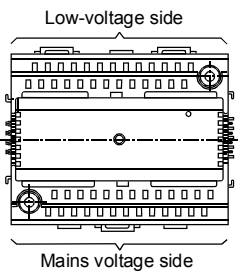
Notes

Engineering

- Fuses, switches, wiring and earthing must be in compliance with local safety regulations
- Sensor cables should not be run parallel to mains-carrying cables powering loads such as fans, actuators and pumps

Mounting and Installation

- The modules are designed for:
 - Mounting in a standard cabinet conforming to DIN 43 880
 - Wall mounting on an existing top hat rail (EN 50 022-35x7.5)
 - Wall mounting with 2 fixing screws
 - Flush panel mounting
- Not permitted are wet or damp spaces; the permissible ambient temperatures must be observed
- Disconnect the system from power supply prior to mounting and installing the module
- **The module insert must not be removed from the terminal base!**
- The module must be fitted on the right hand side of the Synco™ 700 control in the correct order, in accordance with the internal configuration
- The extension modules need not be wired, neither between themselves nor to the Synco™ 700 control. The electrical connections are made automatically when attaching the modules. If it is not possible to arrange all extension modules side by side, the first of the detached modules must be connected to the previous module or the Synco™ 700 control by using the RMZ780 module connector. In that case, the cumulated cable length must not exceed 10 meters
- The connection terminals for protective extra low-voltage are located in the upper half of the module, those for mains voltage (actuators and pumps) at the bottom
- Only one solid or stranded wire may be connected to each terminal (spring cage terminals). For fixing the wires, the cables must be stripped by 7 to 8 mm. To introduce the wires into the spring cage terminals, or to remove them, a screw driver size 0 or 1 is required. Cable strain relief can be ensured with the help of the lugs for cable ties
- The module mounted on a top hat rail together with other modules can only be removed from the rail after the 3 catches have been brought into their release and hold position (audible "click"). After removal, the catches must be pushed back into their snap-on position
- The module is supplied complete with Mounting Instructions



Commissioning

During the commissioning process, the outputs are in a defined off state.


Disposal



The device is considered an electronics device for disposal in terms of European Directive 2012/19/EU and may not be disposed of as domestic garbage.

- Dispose of the device through channels provided for this purpose.
- Comply with all local and currently applicable laws and regulations..

Technical data

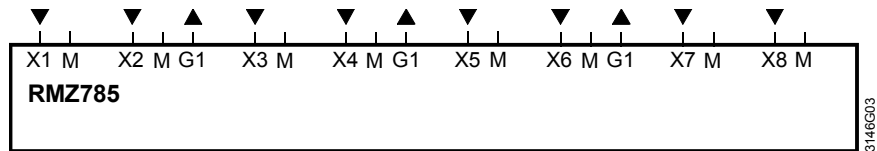
Power supply	Rated voltage	AC 24 V \pm 20 % (via the controller)
	Power consumption	3 VA
Analog inputs (X...)	Sensors	
	Passive	1 or 2 LG-Ni 1000, T1, Pt 1000
	Active	DC 0...10 V
	Signal sources	
Passive	0...2500 Ω	
Active	DC 0...10 V	
Digital inputs (X...) (status and counting values)	Contact sensing	
	Voltage	DC 15 V
	Current	5 mA
	Requirements for the status and impulse contacts	
	Signal coupling	potential-free
	Type of contact	maintained or impulse contacts
	Insulating strength against mains potential	AC 3750 V to EN 60 730
	Perm. resistance	
	Contacts closed	max. 200 Ω
	Contacts open	min. 50 k Ω
Positioning outputs (Y1, Y2)	Output voltage	DC 0...10 V
	Output current	\pm 1 mA
	Max. load	continuous short-circuit
 Switching outputs (Q...)	External supply line fusing	
	Non-renewable fuse (slow)	max. 10 A
	Automatic line cutout	max. 13 A
	Release characteristic	B, C, D to EN 60 898
	Cable length	max. 300 m
	Relay contact data	
	Switching voltage	max. AC 265 V / min. AC 19 V
	AC current	max. 4 A res., 3 A ind. ($\cos \varphi = 0.6$)
	At 250 V	min. 5 mA
	At 19 V	min. 20 mA
	Switch-on current	max. 10 A (1 s)
	Contact life at AC 250 V	guide values:
	At 0.1 A res.	2×10^7 cycles
	N.O. contact at 0.5 A res.	4×10^6 cycles
	Changeover contact at 0.5 A res.	2×10^6 cycles
N.O. contact at 4 A res.	3×10^5 cycles	
Changeover contact at 4 A res.	1×10^5 cycles	
Reduction factor at ind. ($\cos \varphi = 0,6$)	0.85	
Insulating strength		
Between relay contacts and system electronics (reinforced insulation)	AC 3750 V, to EN 60 730-1	
Between neighboring relay contacts (operational insulation) Q1 \leftrightarrow Q2; Q3 \leftrightarrow Q4	AC 1250 V, to EN 60 730-1	
Between relay groups (reinforced insulation) [Q1, Q2] \leftrightarrow [Q3, Q4/Q5]	AC 3750 V, to EN 60 730-1	

Power supply external devices (G1)	Voltage	AC 24 V
	Current	max. 4 A
Electrical connections	Connection terminals	spring cage terminals
	For solid wires	0.6 mm dia....2.5 mm ²
	For stranded wires without ferules	0.25...2.5 mm ²
	For stranded wires with ferules	0.25...1.5 mm ²
Protection	Degree of protection of housing to IEC 60 529	IP20 (when mounted)
	Safety class to EN 60 730	device suited for use with equipment of safety class II
Environmental conditions	Operation to	IEC 60 721-3-3
	Climatic conditions	class 3K5
	Temperature (housing with electronics)	0...50 °C
	Humidity	5...95 % r.h. (noncondensing)
	Mechanical conditions	class 3M2
	Transport to	IEC 60 721-3-2
	Climatic conditions	class 2K3
	Temperature	-25...+70 °C
	Humidity	<95 % r.h.
	Mechanical conditions	class 2M2
Classifications to EN 60 730	Mode of operation, automatic controls	type 1B
	Degree of contamination, controls environment	2
	Software class	A
	Rated surge voltage	4000 V
	Temperature for ball-test of housing	125 °C
Materials and colors	Terminal base	Polycarbonate, RAL 7035 (light-grey)
	Insert	Polycarbonate, RAL 7035 (light-grey)
	Packaging	corrugated cardboard

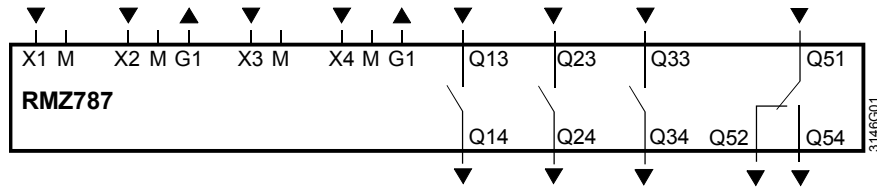
Standards	Product standard	EN 60730-1. Automatic electronic controls for household and similar use.
	Product family standard	EN 50491-x General requirements for Home and Building Electronic Systems (HBES) and Building Automation and Control Systems (BACS).
	Electromagnetic compatibility (application)	For residential, commercial, and industrial environments.
	EU conformity (CE)	CE1T3110xx*)
	RCM conformity	CE1T3110en_C1*)
Environmental Compatibility	EAC-Conformity	Eurasia Conformity
	The product environmental declaration contains data on environmentally compatible product design and assessments (RoHS compliance, materials composition, packaging, environmental benefit, disposal).	CE1E3110en02*)
<hr/> <p>*These related documents can be downloaded at the following Internet address: http://siemens.com/bt/download</p> <hr/>		
Weight	RMZ785 (excl. packaging)	0.25 kg
	RMZ787 (excl. packaging)	0.30 kg
	RMZ788 (excl. packaging)	0.28 kg
	RMZ789 (excl. packaging)	0.31 kg

Internal diagrams

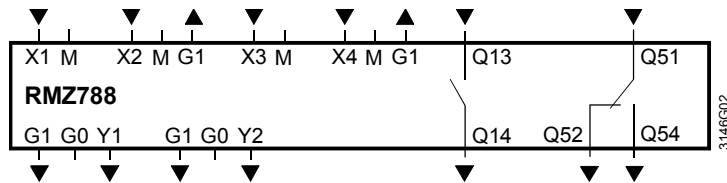
RMZ785



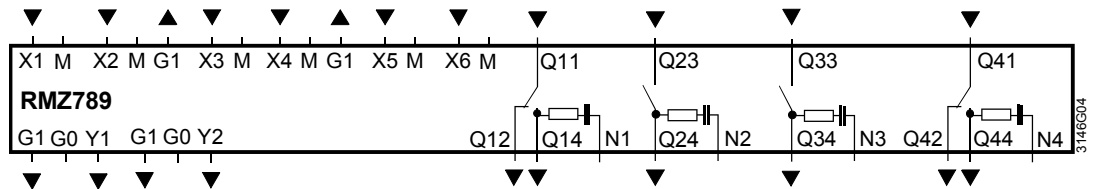
RMZ787



RMZ788



RMZ789

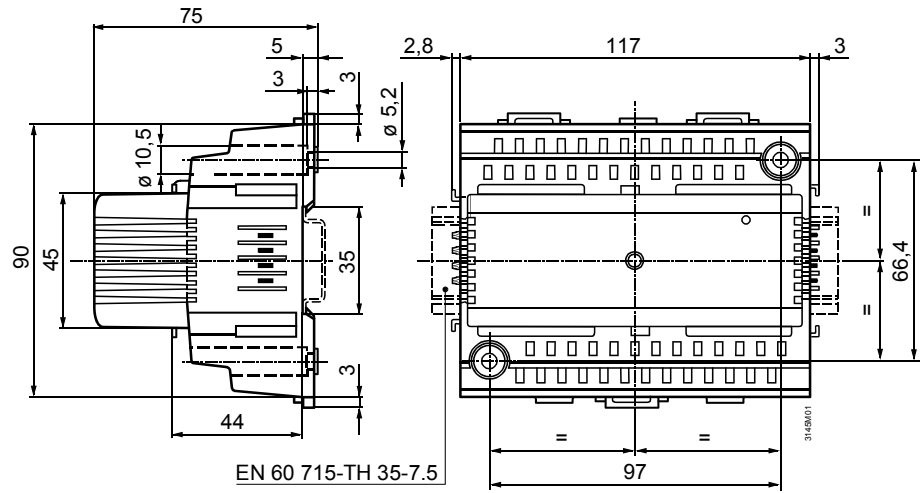


- G0 System neutral for signal outputs
- G1 Output voltage AC 24 V for powering external active devices
- M Measuring neutral for signal inputs
- N... Radio interference suppression for 3-position actuators
- Q... Potential-free relay inputs and outputs for AC 24...230 V
- X... Universal signal inputs for LG-Ni 1000, 2x LG-Ni 1000 (averaging), T1, Pt 1000, DC 0...10 V, 0...1000 Ω (setpoint), 1000...1175 Ω (rel. setpoint), contact sensing (potential-free)
- Y... Control or status outputs DC 0...10 V

Notes

- Each terminal (cage terminal) can accommodate only 1 solid wire or 1 stranded wire
- Double terminals are internally interconnected

Dimensions



Dimensions in mm

Issued by
Siemens Switzerland Ltd
Building Technologies Division
International Headquarters
Gubelstrasse 22
6301 Zug
Switzerland
Tel. +41 41-724 24 24
www.siemens.com/buildingtechnologies

© Siemens Switzerland Ltd, 2003
Technical specifications and availability subject to change
without notice.