



Self-learning Room Temperature Controller

REV23

5 operating modes, heating / cooling functions and menu selection via roller selector

- Mains-independent room temperature controller
- Straightforward, self-explanatory menu selection via roller selector
- Self-learning 2-position controller providing PID mode (patented)
- Choice of operating modes:
 - automatic with maximum 3 heating or cooling periods, continuously comfort mode, continuously economy mode, frost protection with one 24-hour operating mode and one heating or cooling period
- In automatic mode, one temperature setpoint can be adjusted for each heating or cooling period
- Control of cooling equipment

Use

For the control of the room temperature in:

- Apartments, single-family or holiday houses
- Offices, individual rooms, consulting rooms or commercially used spaces

For control of the following pieces of equipment:

- Solenoid valves of instantaneous water heaters
- Solenoid valves of atmospheric gas burners
- Forced draft gas or oil burners
- Circulating pumps in heating systems, zone valves
- Electric direct heating systems or fans of electric storage heaters
- Thermic actuators
- Cooling and refrigeration equipment

Functions

- PID mode with self-learning or selectable switching cycle
- 2-position control
- Automatic mode with 7-day switching program for 24-hour, working day, weekend or 7-day operation with up to 3 heating or cooling periods per day
- One temperature setpoint for each heating or cooling period
- One 24-hour operating mode with one heating or cooling period
- Remote operation
- Override button
- Sensor calibration and reset function
- Frost protection function or overtemperature protection
- Limitation of the minimum setpoint
- Holiday mode
- Heating or cooling mode
- Periodic pump run
- Optimum start control for the first heating period

Ordering

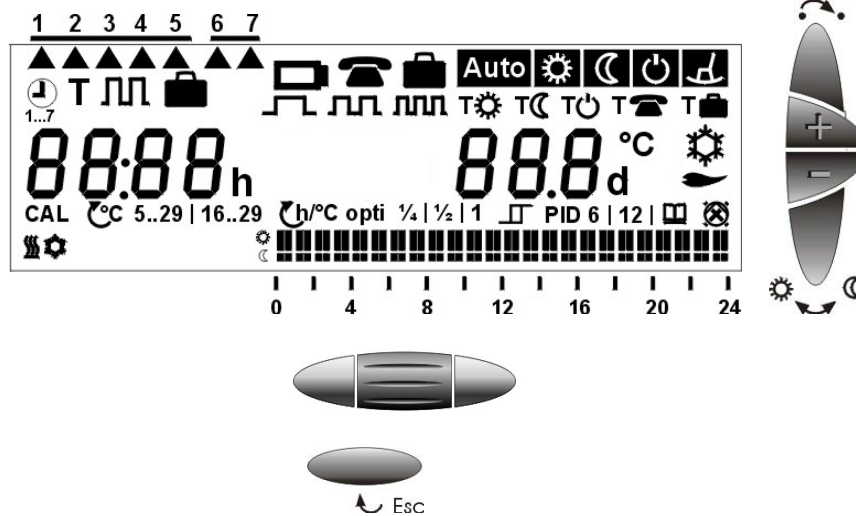
Room temperature controller with 7-day time switch

REV23

When ordering, please give the type reference.
The controller is supplied complete with batteries.

Technical design

Display and operating elements



Operating elements

	<p>Selection of operating mode</p> <p>Warmer button</p> <p>Colder button</p> <p>Override button</p> <p>Roller selector for the menu, submenu and settings Confirm by pressing</p> <p>Leaving the current menu level and returning to the menu level previously active (the settings currently displayed will be accepted)</p>
--	--

Display

	<p>Time of day</p> <p>Room temperature</p> <p>Change batteries (display appears about 3 months before batteries are exhausted)</p> <p>Remote operation active</p> <p>Holiday mode active</p>
--	--

Selection of operating mode (only one operating mode is active)

	<p>Auto Automatic mode</p> <p>Comfort mode</p> <p>Economy mode</p> <p>Frost protection or overtemperature protection</p> <p>24-hour mode with one heating or cooling period (heating or cooling period is automatically generated from the current 24-hour program)</p>
--	--

Temporary change of the current setpoint temperature (change only active until the next switching point is reached)

		<p>When pressing the + or – button once, the adjusted setpoint temperature will be displayed. It can be readjusted in increments of 0.2 °C (max. +/- 4 °C).</p>
--	--	---

Override button

	<p>In operating modes Auto and rd, this button can be used to switch from comfort to economy temperature, or vice versa. The selection is maintained until the next switching point is reached or until the operating mode is changed.</p>
--	--

Menu-driven user settings: 4 main menus available

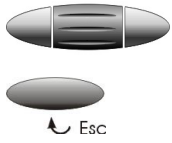
Time of day and day	Main menu	Submenu	Settings		
			Current time of day		
			Current day of week		
Temperature	Main menu	Submenu	Factory settings – heating / cooling		
	T		Setpoint comfort mode	19 °C	23 °C
			Setpoint economy mode	16 °C	29 °C
			Setpoint frost or overtemperature protection	5 °C	35 °C



Setpoint economy mode
remote operation

10 °C | 30 °C

Time switch



Main menu



Submenu

1 2 3 4 5 6 7
▲▲▲▲▲▲▲



Settings

Selection of day of week, working day, weekend or week

Selection of the number of heating or cooling periods, max. 3



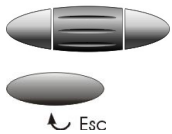
Selection of heating / cooling period start and end time

□□□□ T ☀
19.0 °C



Selection of heating / cooling period setpoint temperature

Absence



Main menu



Submenu

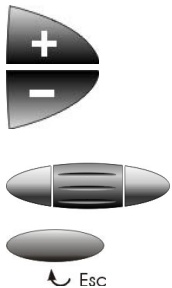


Entry of holidays or periods of absence.
(number of days with economy mode setting /
max. 99 days)

Temperature setpoint during absence

Factory setting 12 °C

Menu-driven heating engineer settings



Main menu

CAL

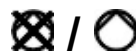
°C 5..29 | 16..29

h/°C opti ¼ | ½ | 1



PID □

PID 6 | 12



Settings

Sensor calibration

Setpoint limitation

Optimum start control for first heating period
(in unit of time per 1 °C)

2-position control

PID mode, self-learning

PID mode with a switching cycle of 6 or
12 minutes

Periodic pump run Off / On

Operating mode heating / cooling

Temperature setpoints

In the automatic operating modes, temperature setpoints can be individually adjusted for every comfort period and for the continuous operating modes. The temperature setpoint of economy mode is the same in automatic and continuous operation.

Protective function



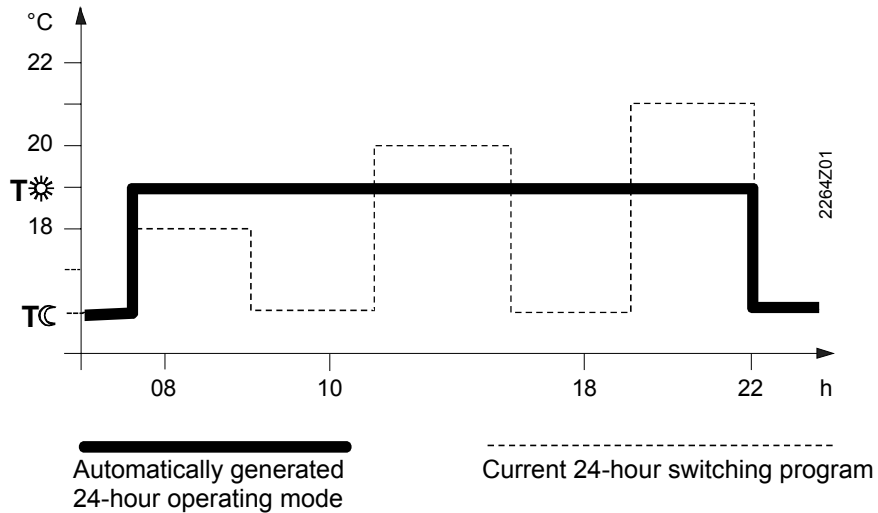
In the frost or overtemperature protection mode, the room temperature is constantly monitored. If it falls (rises) below (above) the adjusted setpoint, heating / cooling is switched on to maintain the adjusted frost or overtemperature protection setpoint temperature T₀.

24-hour operating mode



The controller generates the 24-hour operating mode from the current 24-hour program. It automatically selects the switch-on time of the first heating / cooling period and the switch-off time of the last heating / cooling period to generate and display a complete heating / cooling period. The comfort temperature used by the controller is the currently stored standard setpoint of the continuous operating mode . The self-generated 24-hour operating mode is maintained until another operating mode is selected.

Example



Switching program



The switching program can be used as a 7-day or 24-hour switching program, depending on programming. It is also possible to select one of the continuous operating modes with which the switching program is not used.

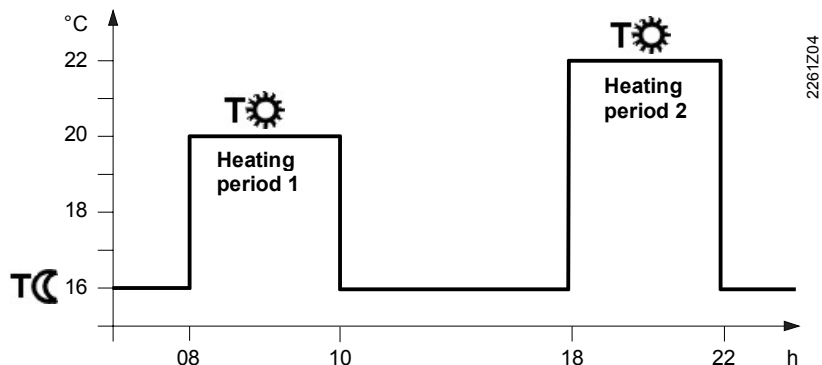
With the 7-day switching program, it is possible to program all days individually, the working days (1-5), the weekend (6-7), or the entire week (1-7).

When a heating / cooling period is programmed, 3 different switching patterns are available.

It is possible to select 1, 2 or 3 heating / cooling periods.

For each heating / cooling period, the start time, end time and comfort setpoint are to be entered. In between heating / cooling periods, it is always the same economy temperature setpoint that is used. This economy temperature setpoint can be adjusted on the temperature menu.

Example with 2 heating periods per day



Holiday function



The holiday function is to be selected on the user menu. Set the start of the holiday period (day of departure/ / day of week), the duration and the temperature setpoint (T_briefcase) during your absence. This will enable the controller to maintain the required temperature for a period of up to 99 days. Every midnight, the counter subtracts one day.

Remote operation



When the holiday period is over and the counter reads 00, the controller will resume the operating mode selected last.

Using a suitable remote operating device, the controller can be switched to an independently adjustable economy temperature **T** . Changeover is accomplished by the making of a potentialfree contact connected to terminals T1 and T2. In that case, symbol will appear on the display. When the contact opens, the operating mode selected last will be resumed.

Operation according to the setting made on the controller	Continuously remote operation economy temperature

Remote operating devices

Suitable remote operating devices: telephone modem, manual switch, window switch, presence detector, central unit, etc.

Factory settings

Operating mode	Block / week-days	Switching times						Temperatures in ° C														
		☀		☀		☀		T ₁		T ₂		T ₃		T _C		T _U		T		T		
		1 st period	2 nd period	3 rd period	☀	☀	☀	☀	☀	☀	☀	☀	☀	☀	☀	☀	☀	☀	☀	☀	☀	
Auto	1-5 Mo-Fr 6-7 Sa-Su	06.00	08.00	11.00	13.00	17.00	22.00	19	23	20	23	21	23	16	29							
	1-7 Mo-Su	00.00	24.00					19	23													
	1-7 Mo-Su	00.00	24.00										16	29								
	1-7 Mo-Su	00.00	24.00												5	35						
																		10	30			
	Absence																				12	30

Factory settings heating engineer level

Setpoint limitation

5..29

PID mode, self-learning

PID

Optimum start control

opti 1/4

Periodic pump run Off



Heating active



Accessing

To access the heating engineer level, keep the warmer and colder buttons depressed and simultaneously roll the roller selector away from the display and then toward the display.

Sensor calibration

CAL

If the displayed temperature does not correspond to the effective room temperature, the temperature sensor can be recalibrated (recalibration to be made on the heating engineer level).

The displayed temperature can be matched to the effective room temperature in increments of 0.2 °C (max. ±2 °C).

Limitation of setpoint

°C 5..29 | 16..29

Minimum setpoint limitation of 16 °C prevents undesired heat transfer to neighboring apartments in buildings with several heating zones. The setting is to be made on the heating engineer menu.

Optimum start control

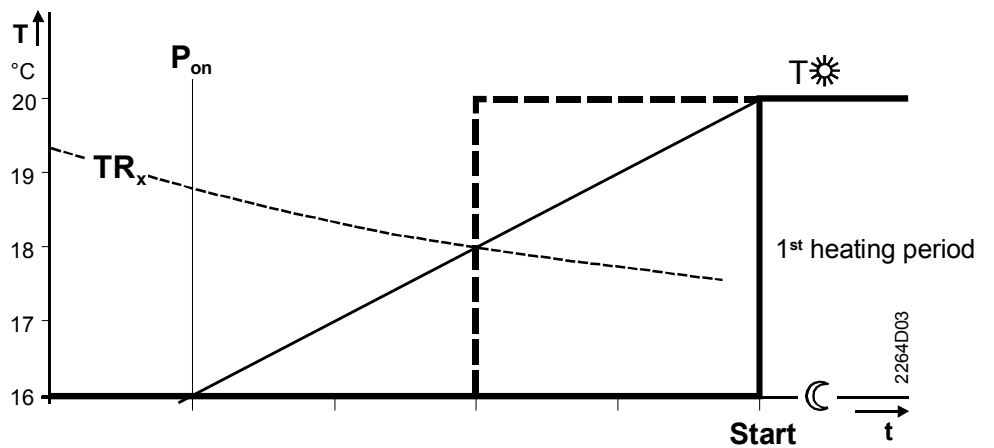
h/°C opti ¼....

Optimization brings forward the switch-on point of the first heating period such that the adjusted setpoint will be reached at the desired time.

The setting depends on the type of controlled system, that is, on heat transmission (type of piping system, radiators), building dynamics (building mass, insulation), and heat output (boiler capacity, flow temperature).

Optimum start control is switched off at **h/°C opti**

Example with an actual room temperature of 18 °C and a setpoint of 20 °C:



1h/°C	- 4 h	- 3 h	- 2 h	- 1 h	(slow controlled system)
1/2h/°C	- 2 h	- 1½ h	- 1 h	- ½ h	(medium controlled system)
1/4h/°C	- 1 h	- ¾ h	- ½ h	- ¼ h	(fast controlled system)
Optimum start control Off					(no impact)

T Temperature (°C) TR_x Actual value of room temperature
 t Forward shift of switch-on point (h) P_{on} Starting point of optimum start control

Control

The REV23 is a 2-position controller providing PID mode. The room temperature is controlled through the cycling switching of an actuating device.

The controller generates the positioning signals depending on the deviation of the adjustable setpoint from the actual value acquired by the built-in temperature sensor.

The rate of response to the deviation depends on the selected control algorithm:

Self-learning mode

PID

The controller is supplied with an active self-learning operating mode, enabling it to automatically adapt to the controlled system (type of building construction, type of radiators, size of the rooms, etc.). After a certain learning period, the controller optimizes its parameters and then operates with the learned parameters.

Exceptions

In exceptional cases, in which the self-learning mode may not be ideal, it is possible to select PID 12, PID 6 or 2-Pt mode:

PID 12

PID 12 mode Switching cycle of 12 minutes for normal or slow controlled systems (massive building structures, large spaces, cast-iron radiators, oil burners).

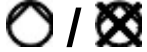
PID 6

PID 6 mode Switching cycle of 6 minutes for fast controlled systems (light building structures, small spaces, plate radiators or convectors, gas burners).



2-Pt mode Pure 2-position control with a switching differential of 0.5 °C (±0.25 °C) for very difficult controlled systems with considerable outdoor temperature variations.

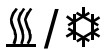
Periodic pump run



Protects the pump against seizing during longer off periods. Periodic pump run is activated for one minute every 24 hours at midnight. This function can be selected on the heating engineer menu.

Periodic pump run active:  / periodic pump run inactive: 

Operating mode heating / cooling



The controller is suited for cooling applications.

The function can be selected on the heating engineer menu.

The controller comes set for heating operation (refer to factory settings).

Reset functions

User-defined data:

Press the button behind the pin opening for at least one second: this resets the user-specific settings to their default values (the heating engineer settings will not be changed). The clock starts at 12:00. During the reset time, all sections of the display light up, enabling them to be checked.


All user-defined data plus the heating engineer settings:

Press the button behind the pin opening together with the warmer and colder buttons for at least one second.

After this reset, all **factory settings** will be reloaded (also refer to section “Factory settings”).

Mechanical design

Battery change

About 3 months before the batteries are exhausted, the battery symbol  appears on the display, but all functions will be fully maintained. When changing the batteries, the current data will be retained for a maximum of one minute.

Controller

The REV23 has a plastic housing with a large display and easily accessible operating elements. The controller is removed from its base by sliding it upward. It is thus possible to replace the two 1.5 V alkaline batteries type **AA** in the compartment at the rear of the controller.

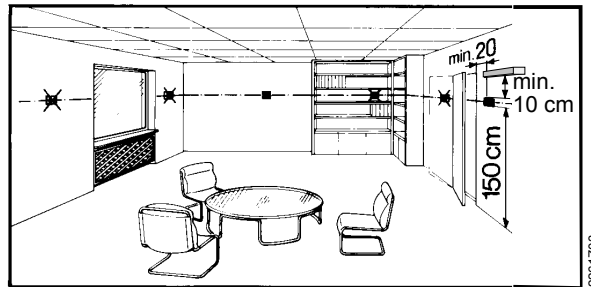
Base

The base can be fitted to most types of commercially available recessed conduit boxes or directly on the wall for wiring. The base only houses the terminals for the electrical connection between the controller and connected devices. The entire electronics (including the relay with a potentialfree changeover contact) are accommodated in the controller.

Notes

Engineering

- The room temperature controller should be fitted in the main living room
- The place of installation should be chosen such that the sensor can capture the room temperature as accurately as possible, without being affected by direct solar radiation or other heating or cooling sources
- Mounting height is approximately 1.5 m above the floor
- The controller can be fitted to most commercially available recessed conduit boxes or directly on the wall
- Above the unit, there must be sufficient clearance for removing the controller from its base and for replacing it




Mounting and installation

- When installing the controller, the base must first be fitted and wired. Then, the unit can be slid onto the base from above
- For more detailed information, please refer to the installation instructions supplied with the controller
- For the electrical installation, the local safety regulations must be complied with
- The remote operation contact T1 / T2 must be wired separately using a separate screened cable

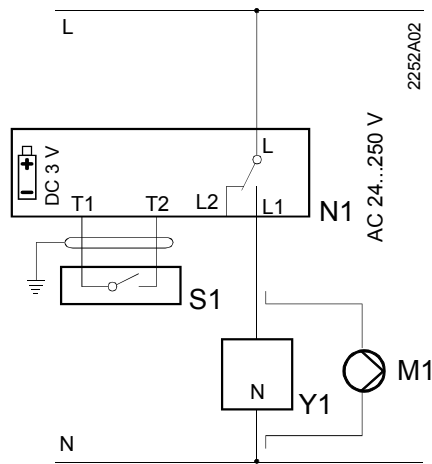
Commissioning

- The battery transit tab, which prevents inadvertent operation of the controller during transport and storage, must be removed
- The control mode can be changed on the heating engineer level
- If the reference room is equipped with thermostatic radiator valves, they must be set to their fully open position
- If the displayed room temperature does not correspond to the effective room temperature, the temperature sensor should be recalibrated (refer to "Sensor calibration")

Technical data

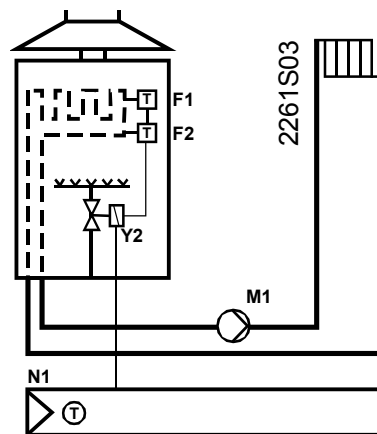
General unit data	Operating voltage	DC 3 V
	Batteries (alkaline AA)	2 x 1.5 V
	Battery life	approx. 2 years
	Backup for batter change	max. 1 min
	Switching capacity of relay	
	Voltage	AC 24...250 V
	Current	6 (2.5) A
	Safety class	II to EN 60 730-1
	Sensing element	NTC 10 k Ω \pm 1 % at 25 °C
	Measuring range	0...50 °C
	Time constant	max. 10 min
	Setpoint setting ranges	
	Normal temperature	5...29 °C
	Economy temperature	5...29 °C
	Frost protection temperature	5...29 °C (factory setting 5 °C)
Resolution of settings and display	Setpoints	0.2 °C
	Switching times	10 min
	Measurement of actual value	0.1 °C
	Display of actual value	0.2 °C
	Display of time	1 min
	Norms and standards	CE conformity
Electromagnetic compatibility		89/336/EEC
Low voltage directive		73/23/EEC
C-Tick	 N474	
Product standards	Automatic electrical controls for household and similar use	EN 60 730-1
	Electromagnetic compatibility	
	Immunity	EN 50082-1
	Emissions	EN 50081-1
Environmental conditions	Operation	
	Climatic conditions	class 3K3 to IEC 60 721-3
	Perm. ambient temperature	5...40 °C
	Humidity	< 85 % r.h.
	Storage and transport	
	Climatic conditions	class 2K3 to IEC 60 721-3
Ambient temperature	-25...+70 °C	
Humidity	< 93 % r.h.	
Mechanism	class 2M2 to IEC 60 721-3	
Weight	Incl. package	0.33 kg
Color	Housing	signal-white RAL9003
	Base	grey RAL7038
Size	Housing	140 x 104.5 x 30 mm

Connection diagram

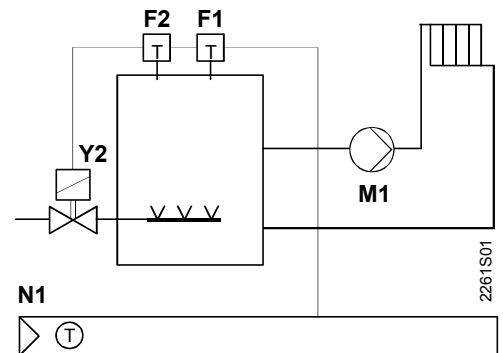


L	Live AC 24...250 V	N1	Room temperature controller REV23
L1	N.O. contact, AC 24...250 V / 6 (2.5) A	S1	Remote operating device (potentialfree)
L2	N.C. contact, AC 24...250 V / 6 (2.5) A	T1	Signal "remote operation"
M1	Circulating pump	T2	Signal "remote operation"
N	Neutral conductor	Y1	Actuating device

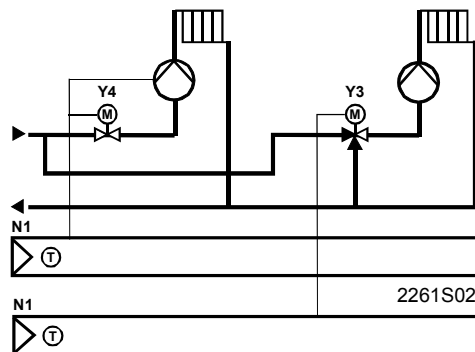
Application examples



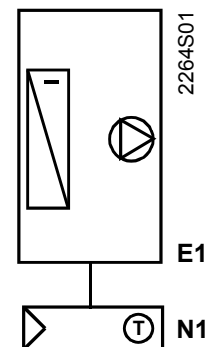
Instantaneous water heater



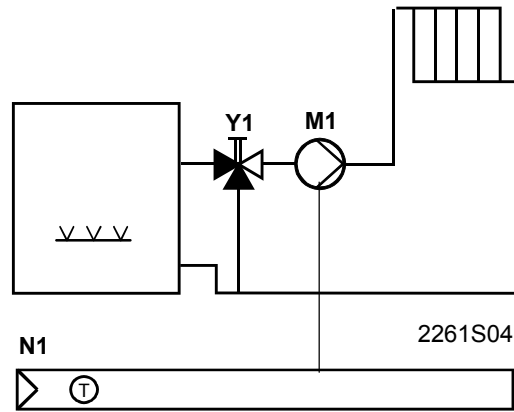
Atmospheric gas burner



Zone valve



Cooling equipment



- E1 Cooling equipment
- F1 Limit thermostat
- F2 Safety limit thermostat
- M1 Circulating pump
- N1 Room temperature controller REV23
- Y1 3-port valve with manual adjustment
- Y2 Solenoid valve
- Y3 Motorized 3-port valve
- Y4 Motorized 2-port valve

Circulating pump with precontrol via manual mixing valve

Dimensions

