



Thermostatic Radiator Valve Head

RT86.2

with remote adjuster

-
- Individual room temperature control
 - Designed for use with radiator valves where there is no accessibility for set-point adjustments (e.g. behind radiator panels)
 - Suited for single- or two-pipe heating systems with weather-compensated flow temperature control

Function

- Maintains the room temperature at the required level
- Infinite actuation of the radiator valve by means of a liquid-filled temperature sensing element (regulation of the volumetric flow)
- Acquires and compensates heat gains from solar radiation, people, lighting, etc.
- Proportional control

Equipment combinations

The RT86.2 can be combined with radiator valves type VD1..., VE1..., VD2..., VE2..., VU2... or VUC515... (refer to data sheet CE1N2150E under «Type summary»). The temperature sensing element is accommodated in the remote adjuster. If required, the RT86.2 can be equipped with the RT56.15 thermostatic head (with frost protection function) or with a manual knob (in place of the 56.05 thermostatic head).

Settings

Provided the radiators are correctly sized and the heating curve is correctly set, the numbers on the thermostatic head correspond to the following room temperatures:

Setpoint in °C
Off 8 12 16 20 24 28

RT86.2 with minimum limitation, 2 m capillary

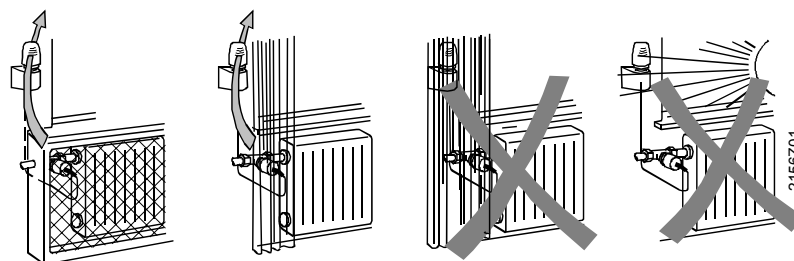
| | | | | | | |
|---|---|---|---|---|---|---|
| 0 | * | 1 | 2 | 3 | 4 | 5 |
|---|---|---|---|---|---|---|

Technical data

| | |
|---|--------------|
| Hysteresis | ≤ 1 K |
| Influence of heating medium at Δt 30 °C | ≤ 0.75 K |
| Influence of differential pressure | < 1 K |
| Closing time | 34 min |
| Setpoint setting range | 8...28 °C |
| Setting scale | 0...5 |
| Normal position 3 | 20 °C |
| Frost protection position * | 8 °C |
| Fully closed position | number 0 |
| P-band (with radiator valve) | 2 K |
| Length of capillary tube | 2 m |
| Perm. ambient temperature | |
| Transport and storage | -15...+60 °C |
| Weight | 0.44 kg |

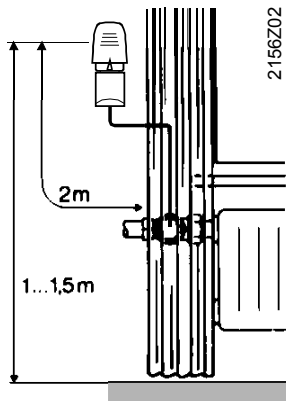
Mounting

Mounting choices and requirements:

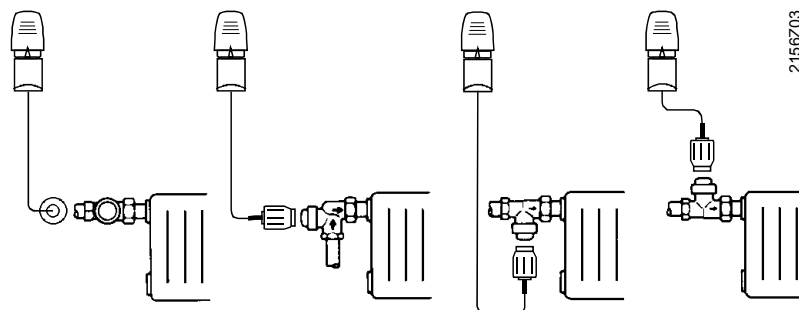


The remote adjuster has the temperature sensing element integrated:

- The circulation of room air around the remote adjuster must not be obstructed
- The remote adjuster may not be exposed to direct solar radiation



- Locate the remote adjuster as shown above
- If mounted on a poorly insulated outer wall, use a thermally insulating layer, if required



- The valve can be mounted in any position since the temperature sensing element is integrated in the remote adjuster

Dimensions

