

Setpoint adjuster (Ni1000), passive

BSGN-T...



Passive setpoint adjuster (Ni1000) for the CLASSIC RKN.../ CLASSIC RHN1 and DESIGO 30 (Ni1000) control ranges

- For controllers with an Ni1000 input
- Different adjustment ranges depending on sensor type

Use

The four BSGN-T... setpoint adjusters are passive, variable resistance devices. They relay the preset temperature in the form of a resistance value directly to the connected CLASSIC RKN.../ CLASSIC RHN1 or DESIGO 30 (Ni1000) controllers.

Type summary

Four different types are available, each with a different temperature setting range:

BSGN-TC	Range	10 °C ... 30 °C
BSGN-TH	Range	30 °C ... 110 °C
BSGN-TK	Range	- 20 °C ... 20 °C
BSGN-TZ	Range	20 °C ... 60 °C

Ordering

When placing an order, please specify the quantity, product description and type code.

Example: 3 setpoint adjusters, type BSGN-TH

Mechanical design

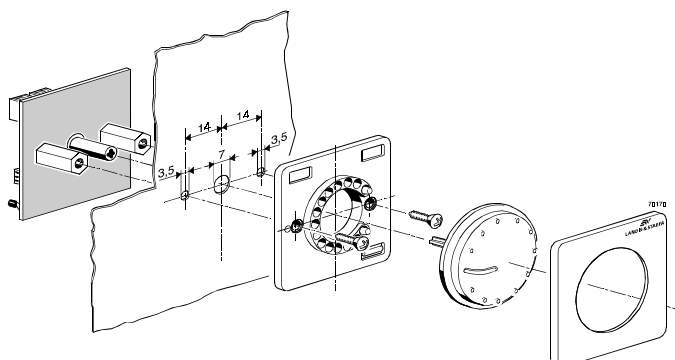
Multi-part plastic housing comprising:

- Electronic printed circuit board with potentiometer and 4 connection terminals
- Mounting plate with adjustable end-stop pins
- Setpoint dial
- Cover plate with scale

Mounting

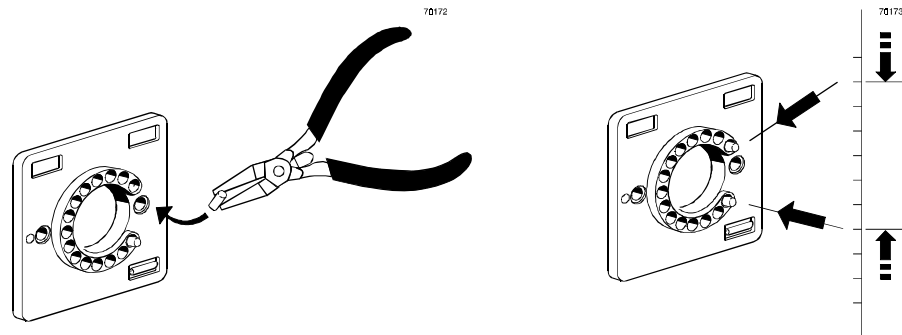
Mounting instructions (Ref. 35729) are enclosed with the device.

The BSGN-T... set-point adjusters can be installed in control panels or control panel doors, on terminal units or in a flush-mounting box (on the cover plate).



Commissioning

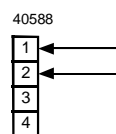
The adjustment range can be limited mechanically by adjusting the two pins on the fixing plate (see mounting instructions).



Technical data

Resistance range	See Ni1000 resistance table
Materials	
Cover plate and base plate	Polycarbonate / ABS
Dial	Polycarbonate / ABS
Colour	
Cover plate	RAL 7035 (light grey)
Dial	RAL 7001 (silver grey)
Connection terminals	Screw terminals for 2.5 mm ² wire
Max. length of cable between BSGN-T... and controller	
With 0.25 mm ² Cu	40 m
With 0.50 mm ² Cu	75 m
With 1.0 mm ² Cu	110 m
Weight (including packaging)	0.06 kg
Dimensions (W x H x D)	48 x 48 x 46 mm
General ambient conditions	
Conditions of use	For indoor use
Ambient temperature	
– Operation	0 ... 55 °C
– Storage / Transport	– 25 ... 70 °C
Ambient humidity	< 95 %rh, non-condensing
Product safety	EN60730-1
Protection class	III
Protection standard (when installed)	IP42 to EN60529
Conformity	Meets the requirements for CE marking

Connection terminals



Dimensions

All dimensions in mm

