

Setpoint adjuster (T1), passive

BSG-T...



Setpoint adjuster (T1) for the CLASSIC AND DESIGO 30 control range.

- Cover plate with scale in °Celsius or °Fahrenheit
- Different adjustment ranges depending on type

Use

The four BSG-T... setpoint adjusters are passive (variable resistance) devices. They relay the preset temperature directly to the connected controllers as a resistance value.

Type summary

4 different types are available, each with a different temperature setting range:

BSG-TC	range	10 °C ... 30 °C	or	50 °F ... 86 °F
BSG-TH	range	30 °C ... 110 °C	or	86 °F ... 230 °F
BSG-TK	range	-20 °C ... 20 °C	or	-4 °F ... 68 °F
BSG-TZ	range	20 °C ... 60 °C	or	70 °F ... 140 °F

Ordering

When placing an order, please specify the quantity, product description and type code.

Example:

1 setpoint adjuster BSG-TH

Mechanical design

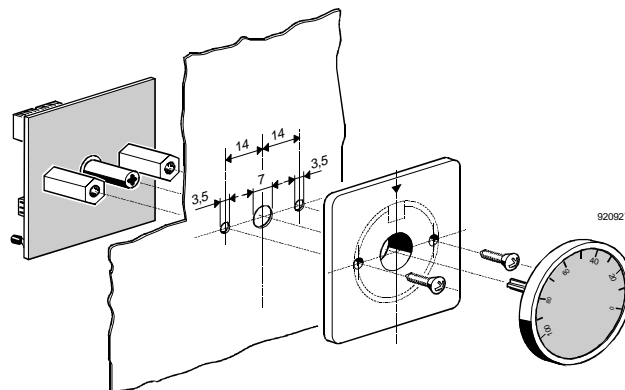
The BSG-T... setpoint adjusters consist of a multi-part plastic housing, comprising:

- Cover plate and dial with scale plate, printed on both sides (one side °C, the other side °F).
- Printed circuit board with potentiometer and connection terminals.

Mounting notes

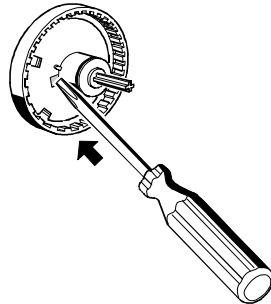
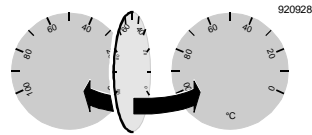
Mounting instructions are enclosed with the unit (Ref. 35635).

The BSG-T... setpoint adjusters can be installed in control panels or control panel doors, on terminal units or in a flush-mounting box (on a cover plate).

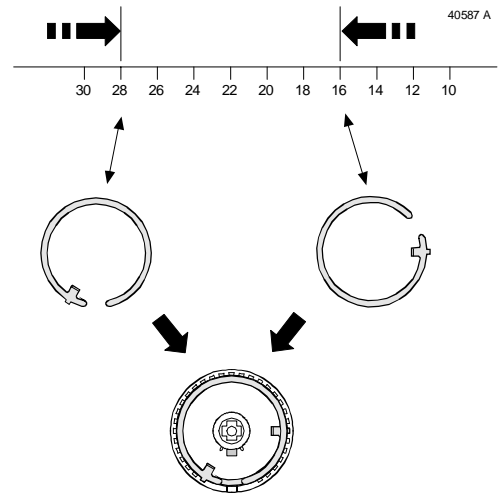


Commissioning notes

Reverse the scale plate of the rotary knob if necessary, so that the side with °C or the other side with °F is visible.



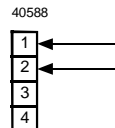
The adjustment range can be limited mechanically by repositioning the two rings on the back of the rotary knob (see mounting instructions).



Technical data

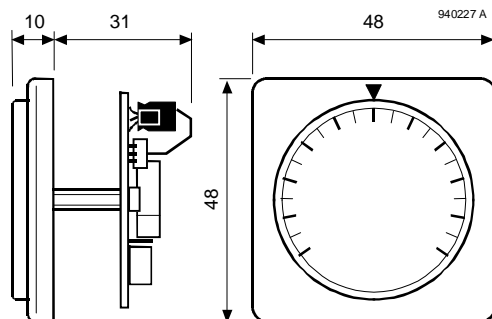
Resistance range	See resistance table T1 on sheet 1713
Protection class	III
Protection standard (when installed)	IP42 to IEC529
Ambient temperature:	
Operation	0 ... 55 °C
Storage / Transport	- 25 ... 70 °C
Ambient humidity	< 95 %rh, non-condensing
Max. cable length between BSG-T... and controller	
with 0.25 mm ² Cu	40 m
with 0.50 mm ² Cu	75 m
with 1.0 mm ² Cu	110 m

Connection terminals



Dimensions

All dimensions in mm



Drilling diagram

