

Universal setpoint adjuster

BSGN-U1



Universal setpoint adjuster for the CLASSIC RKN... / CLASSIC RHN1 and DESIGO 30 (Ni1000) control ranges

- For external adjustment of a setpoint

Use

The BSGN-U1 universal setpoint adjuster is a passive, continuously variable resistance signal transmitter. It transmits the selected setpoint adjustment (in the range $-3 \dots +3$ K) as a resistance value directly to the controllers in the CLASSIC RKN.../ CLASSIC RHN1 and DESIGO 30 (Ni1000) ranges.

Ordering

When placing an order, please specify the quantity, product description and type code.

Example:

3 setpoint adjusters BSGN-U1

Mechanical design

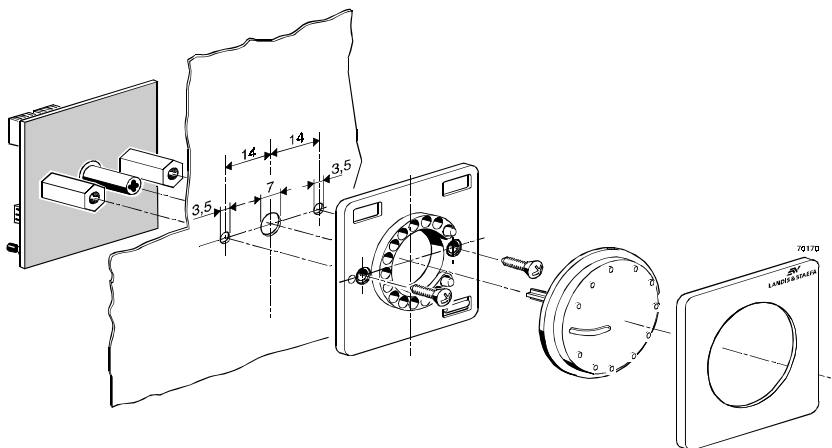
Multi-part plastic housing comprising:

- Electronic printed circuit board with potentiometer and 4 connection terminals
- Mounting plate with adjustable end-stop pins
- Dial
- Cover plate with scale for adjustment range of $-3 \dots +3$ K

Mounting

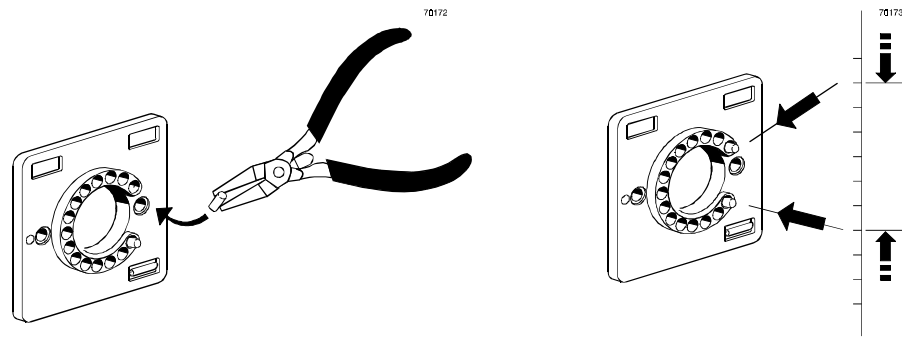
Mounting instructions (Ref. 35729) are enclosed with the setpoint adjuster.

The BSGN-U1 setpoint adjuster is suitable for mounting on control panels, in control panel doors, on terminal units or on flush mounting boxes (on cover plate).



Commissioning

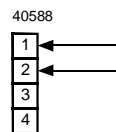
The adjustment range can be limited mechanically to the desired range by adjusting the two end stops (see mounting instructions).



Technical data

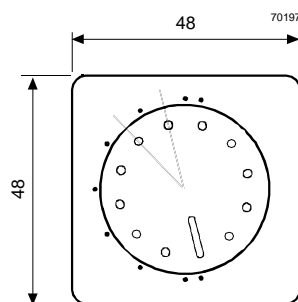
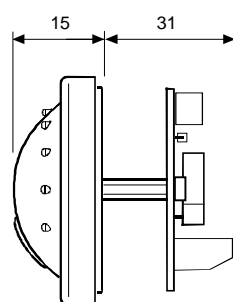
Resistance range	995 ... 1185 Ohm (0 K = 1091 Ohm)
Materials	
Cover and base plate	Polycarbonate / ABS
Dial	Polycarbonate / ABS
Colour	
Cover plate	RAL 7035 (light grey)
Dial	RAL 7001 (silver grey)
Connection terminals	Screw terminals for 2.5 mm ² wire
Max. length of cable between BSGN-U1 and controller	
With 0.25 mm ² Cu	40 m
With 0.50 mm ² Cu	75 m
With 1.0 mm ² Cu	110 m
Weight (including packaging)	0.06 kg
Dimensions (W x H x D)	48 x 48 x 46 mm
General ambient conditions	
Conditions of use	For indoor use
Ambient temperature	
– Operation	0 ... 55 °C
– Storage / Transport	– 25 ... 70 °C
Ambient humidity	< 95 %rh, non-condensing
Product safety	EN60730-1
Protection class	III
Protection standard (when installed)	IP42 to EN60529
Conformity	Meets the requirements for CE marking

Connection terminals



Dimensions

All dimensions in mm



Drilling diagram

